

## DS-1668ZJ(20)-P

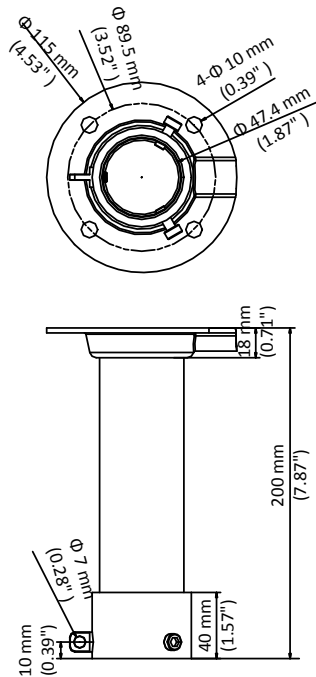
Pendant Mount for PanoVu



### Feature

- Zinc-coated steel with surface spray treatment
- The hook for safety rope facilitates camera's installation

### Dimension



### Available Model

DS-1668ZJ(20)-P

### Parameter

Model	DS-1668ZJ(20)-P
Parameters	Pendant Mount for PanoVu
Appearance	Platinum Gray
Material	Steel
Dimension	$\Phi 115$ mm $\times$ 200 mm (4.53" $\times$ 7.87")
Weight	1150 g (2.54 lb.)

### Note

- The mount should be installed on the flat surface.
- The waterproof rubber is necessary for the outdoor application.
- The wall must be capable of supporting at least 3 times as much as the total weight of the camera, and the mount.
- The mount's maximum load capacity is 20 kg (44 lb.).