

SPE-110

Network Video Encoder

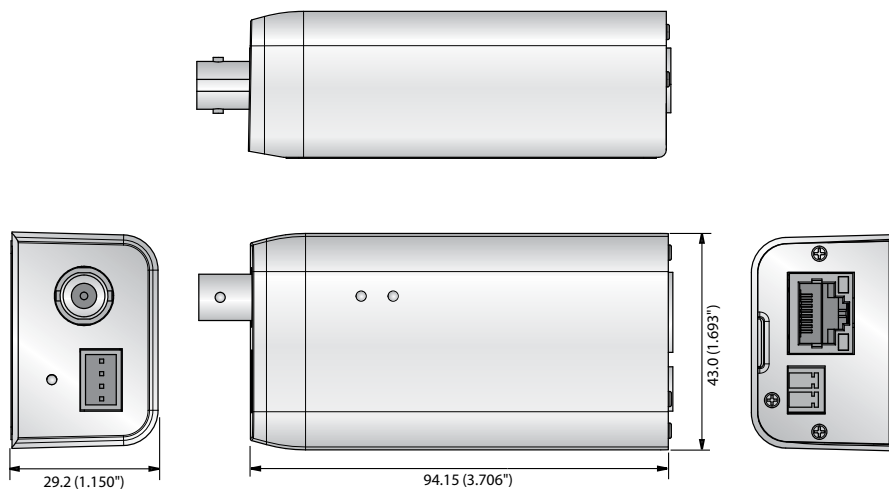


Key Features

- Max. 4MP resolution
- Max. 15fps@4MP, Max. 30fps@2MP
- Motion detection, Video loss, Tampering
- H.264, MJPEG codec support
- Multiple streaming (Up to 3 profiles per CH)
- Coaxial control, 10/100 Base-T

Dimensions

Unit : mm (inch)



	SPE-110N	SPE-110P
VIDEO		
Input Channel	1CH BNC 1.0 Vp-p / 75Ω composite NTSC / PAL	
Input Signal & Resolution	CVBS, AHD (720p, 1080p, 4MP), CVI (720p, 2MP), TVI (720p, 2MP) - Auto / Manual detection	
OPERATIONAL		
Motion Detection	Off / On (4ea rectangular)	
Privacy Masking	Off / On (4ea rectangular zones)	
De-Interlacing	Support	
Alarm Trigger	Motion Detection, Video Loss, Tampering	
Alarm Events	File Upload Via FTP, E-mail	
Remote Control Interface	1ea RS-485 / 422	
RS-485 Protocol	SAMSUNG-T, PELCO-P / D	
Coaxial Control	NTSC / PAL : Pelco-C (Coaxitron) AHD : ACP (AHD Coax Protocol)	
NETWORK		
Ethernet	1 RJ-45 10/100 Base-T	
Video Compression Format	H.264 (MPEG-4 Part 10/AVC) : Main / Baseline / High MJPEG	
Resolution	4M 1920x1080, 1280x720, 928x480, 704x480, 704x240, 352x240, 640x360	4M 1920x1080, 1280x720, 928x576, 704x576, 704x288, 640x360, 352x288
Max. Framerate	- Main Stream 4MP : 15fps / CH, 1080p / 720p / WD1 / 4CIF / CIF : 30fps / CH(N), 25fps / CH(P) - Sub Stream WD1 / 4CIF : 12fps / CH, 2CIF / CIF / QVGA / QCIF : 30fps / CH(N), 25fps / CH(P) - JPEG : 2fps @ 1920x1080, 1280x720, 960H, D1	
Bitrate Control Method	H.264 : CBR or VBR MJPEG : CBR	
Streaming Capability	Dual streaming (Up to 3 profiles per channel)	
IP	IPv4, IPv6	
Protocol	TCP / IP, UDP / IP, RTP (UDP), RTP (TCP), RTCP, RTSP, NTP, HTTP, HTTPS, SSL / TLS, DHCP, PPPoE, FTP, SMTP, ICMP, IGMP, SNMPv1 / v2c / v3 (MIB-2), ARP, DNS, DDNS, QoS, PIM-SM, UPnP, ONVIF, Bonjour	
Security	HTTPS (SSL) login authentication, Digest login authentication, IP address filtering, User access log, 802.1X authentication (EAP-TLS, EAP-LEAP)	
Streaming Method	Unicast / Multicast	
Max. User Access	20 users at unicast mode	
Webpage Languages	15 languages English, Korean, Chinese, Spanish, Portuguese, Russian, Japanese, French, German, Italian, Turkish, Polish, Dutch, Swedish, Czech	
Web Viewer	Supported OS : Windows 7, 8.1, 10, Mac OS X 10.10, 10.11, 10.12 Supported Browser : Google Chrome 63, MS Edge 41, Mozilla Firefox 57 (Windows 64bit only), Apple Safari 11 (Mac OS X only), Microsoft IE11	

	SPE-110N	SPE-110P
Application Programming Interface	ONVIF profile S, SUNAPI (HTTP API)	
Central Management Software & Recoder	SmartViewer, SSM, WiseNet Mobile Viewer, NVR (Hanwha Techwin P / X / Q series)	
ENVIRONMENTAL		
Operating Temperature / Humidity	-10°C ~ +50°C (+14°F ~ +122°F) / 20% ~ 80% RH	
ELECTRICAL		
Input Voltage / Current	DC12V, PoE(IEEE 802.3af)	
Power Consumption	Max. 3.6 W (DC 12V), Max. 4.0W (PoE)	
MECHANICAL		
Color / Material	White (Plastic), Silver (Metal)	
Dimension (WxHxD)	43.0 x 29.2 x 94.15mm (1.693" x 1.150" x 3.706")	
Weight	104g (0.229 lb)	

* The latest product information / specification can be found at hanwha-security.eu

* Design and specifications are subject to change without notice.

* Wisenet is the proprietary brand of **Hanwha Techwin**.