

DS-1677ZJ-XS-1.0(D)

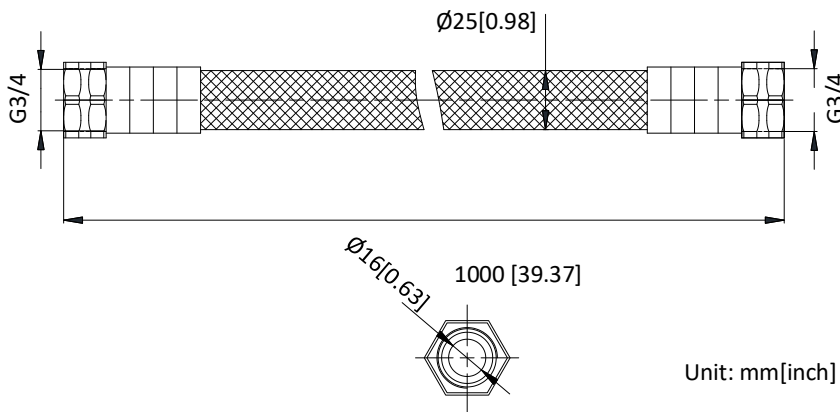
Explosion-Proof Flexible Conduit

Features

- NBR, braided steel wire, carbon steel
- G-3/4 conduit thread
- Ingress protection, IP68
- For cable protection in explosive environments



Dimension



Available Model

DS-1677ZJ-XS-1.0(D)

Parameter

Model	DS-1677ZJ-XS-1.0(D)
Parameters	Explosion-Proof Flexible Conduit
Material	NBR, braided steel wire, carbon steel
Dimension	Ø25 mm × 1000 mm (0.98" × 39.37")
Weight	Approx. 0.7 kg (1.54 lb.)
Conduit Thread	G-3/4
Operating Conditions	-40°C to +80°C (-40°F to 176°F), 95%RH or less (non-condensing)
Ingress protection	IP68