

# **AXIS TQ6905-E Washer Kit**

## **Installation Guide**



English

EN

France: Français

FR

Deutschland: Deutsch

DE

Italia: Italiano

IT

España: Español

ES

日本: 日本語

JA

中文: 简体中文

ZH

## Legal considerations

Video and audio surveillance can be regulated by laws that vary from country to country. Check the laws in your local region before using this product for surveillance purposes.

## Liability

Every care has been taken in the preparation of this document. Please inform your local Axis office of any inaccuracies or omissions. Axis Communications AB cannot be held responsible for any technical or typographical errors and reserves the right to make changes to the product and manuals without prior notice. Axis Communications AB makes no warranty of any kind with regard to the material contained within this document, including, but not limited to, the implied warranties of merchantability and fitness for a particular purpose. Axis Communications AB shall not be liable nor responsible for incidental or consequential damages in connection with the furnishing, performance or use of this material. This product is only to be used for its intended purpose.

## Intellectual property rights

Axis AB has intellectual property rights relating to technology embodied in the product described in this document. In particular, and without limitation, these intellectual property rights may include one or more of the patents listed at [axis.com/patent](http://axis.com/patent) and one or more additional patents or pending patent applications in the US and other countries.

## Equipment modifications

This equipment must be installed and used in strict accordance with the instructions given in the user documentation. This equipment contains no user-serviceable components. Unauthorized equipment changes or modifications will invalidate all applicable regulatory certifications and approvals.

## Trademark acknowledgements

AXIS COMMUNICATIONS, AXIS, ARTPEC and VAPIX are registered trademarks of Axis AB in various jurisdictions. All other trademarks are the property of their respective owners.

## Regulatory information

### Europe



This product complies with the applicable CE marking directives and harmonized standards:

- Electromagnetic Compatibility (EMC) Directive 2014/30/EU. See *Electromagnetic compatibility (EMC) on page 4*.
- Low Voltage Directive (LVD) 2014/35/EU. See *Safety on page 5*.
- Restriction of Hazardous Substances (RoHS) Directive 2011/65/EU and 2015/863, including any amendments, updates or replacements. See *Disposal and recycling on page 5*.

A copy of the original declaration of conformity may be obtained from Axis Communications AB. See *Contact information on page 5*.

## Electromagnetic compatibility (EMC)

This equipment has been designed and tested to fulfill applicable standards for:

- Radio frequency emission when installed according to the instructions and used in its intended environment.
- Immunity to electrical and electromagnetic phenomena when installed according to the instructions and used in its intended environment.

## USA

This device complies with part 15 of the FCC Rules. Operation is subject to the following two conditions:

1. This device may not cause harmful interference, and
2. this device must accept any interference received, including interference that may cause undesired operation.

This equipment has been tested and found to comply with the limits for a Class B digital device, pursuant to part 15 of the FCC Rules. These limits are designed to provide reasonable protection against harmful interference in a residential installation. This equipment generates, uses and can radiate radio frequency energy and, if not installed and used in accordance with the instructions, may cause harmful interference to radio communications. However, there is no guarantee that interference will not occur in a particular installation. If this equipment does cause harmful interference to radio or television reception, which can be determined by turning the equipment off and on, the user is encouraged to try to correct the interference by one or more of the following measures:

- Reorient or relocate the receiving antenna.
- Increase the separation between the equipment and receiver.
- Connect the equipment into an outlet on a circuit different from that to which the receiver is connected.
- Consult the dealer or an experienced radio/TV technician for help.

The product shall be properly grounded.

## Contact information

Axis Communications Inc.  
300 Apollo Drive  
Chelmsford, MA 01824  
United States of America  
Tel: +1 978 614 2000

## Canada

This digital apparatus complies with CAN ICES-3 (Class B). The product shall be properly grounded. Cet appareil numérique est conforme à la norme CAN NMB-3 (classe B). Le produit doit être correctement mis à la terre.

## Europe

This digital equipment fulfills the requirements for RF emission according to the Class B limit of EN 55032. The product shall be properly grounded.

## Australia/New Zealand

This digital equipment fulfills the requirements for RF emission according to the Class B limit of AS/NZS CISPR 32. The product shall be properly grounded.

## Japan

この装置は、クラスB機器です。この装置は、住宅環境で使用することを目的としています。この装置がラジオやテレビジョン受信機に近接して使用されると、受信障害を引き起

このことがあります。取扱説明書に従って正しい取り扱いをして下さい。VCCI-B

### Safety

This product complies with IEC/EN 60950-1 and IEC/EN 60950-22, Safety of Information Technology Equipment. The product shall be grounded either through a shielded network cable (STP) or other appropriate method.

### Disposal and recycling

When this product has reached the end of its useful life, dispose of it according to local laws and regulations. For information about your nearest designated collection point, contact your local authority responsible for waste disposal. In accordance with local legislation, penalties may be applicable for incorrect disposal of this waste.

### Europe



This symbol means that the product shall not be disposed of together with household or commercial waste. Directive 2012/19/EU on waste electrical and electronic equipment (WEEE) is applicable in the European Union member states. To prevent potential harm to human health and the environment, the product must be disposed of in an approved and environmentally safe recycling process. For information about your nearest designated collection point, contact your local authority responsible for waste disposal. Businesses should contact the product supplier for information about how to dispose of this product correctly.

This product complies with the requirements of Directive 2011/65/EU and 2015/863 on the restriction of the use of certain hazardous substances in electrical and electronic equipment (RoHS).

### China



This product complies with the requirements of SJ/T 11364-2014, Marking for the restriction of hazardous substances in electrical and electronic products.

电气 实装 部分	X	0	0	0	0	0
<p>0: 表示该有毒有害物质在该部件均质材料中的含量均在GB/T 26572标准规定的限量要求以下。</p> <p>X: 表示该有毒有害物质至少在该部件的某一均质材料中的含量超出GB/T 26572标准规定的限量要求。</p>						

### Contact information

Axis Communications AB  
Emdalavägen 14  
223 69 Lund  
Sweden

Tel: +46 46 272 18 00

Fax: +46 46 13 61 30

[axis.com](http://axis.com)

### Warranty information

For information about Axis' product warranty and thereto related information, go to [axis.com/warranty](http://axis.com/warranty).

### Support

Should you require any technical assistance, please contact your Axis reseller. If your questions cannot be answered immediately, your reseller will forward your queries through the appropriate channels to ensure a rapid response. If you are connected to the Internet, you can:

- find answers to resolved problems in the FAQ database, search by product, category, or phrase
- report problems to Axis support staff by logging in to your private support area
- chat with Axis support staff
- visit Axis Support at [axis.com/support](http://axis.com/support)

### Learn more!

Visit Axis learning center [axis.com/academy](http://axis.com/academy) for useful trainings, webinars, tutorials and guides.

有毒有害物质或元素						
部件名称	铅 (Pb)	汞 (Hg)	镉 (Cd)	六价铬 (Cr-VI)	多溴联苯 (PB-B)	多溴二苯醚 (PB-DE)



## Safety information

### Hazard levels

**▲DANGER**

Indicates a hazardous situation which, if not avoided, will result in death or serious injury.

**▲WARNING**

Indicates a hazardous situation which, if not avoided, could result in death or serious injury.

**▲CAUTION**

Indicates a hazardous situation which, if not avoided, could result in minor or moderate injury.

**NOTICE**

Indicates a situation which, if not avoided, could result in damage to property.

### Other message levels

**Important**

Indicates significant information which is essential for the product to function correctly.

**Note**

Indicates useful information which helps in getting the most out of the product.

# AXIS TQ6905-E Washer Kit

---

## Safety instructions

### **⚠ WARNING**

The Axis product shall be installed by a trained professional, and in compliance with local laws and regulations.

### **NOTICE**

- The Axis product shall be used in compliance with local laws and regulations.
- Store the Axis product in a dry and ventilated environment.
- Avoid exposing the Axis product to shocks or heavy pressure.
- Avoid exposing the Axis product to vibration.
- Do not install the product on unstable poles, brackets, surfaces or walls.
- Do not install the product on vibrating poles, brackets, surfaces or walls.
- Use only applicable tools when installing the Axis product. Using excessive force with power tools could cause damage to the product.
- Use only accessories that comply with the technical specification of your product. These can be provided by Axis or a third party. Axis recommends using Axis power source equipment compatible with your product.
- Use only spare parts provided by or recommended by Axis.
- Do not attempt to repair the product yourself. Contact Axis support or your Axis reseller for service matters.
- Use a yellow/green colored grounding cable of at least 0.5 mm<sup>2</sup> or 20 AWG.

## Transportation

### **NOTICE**

- When transporting the Axis product, use the original packaging or equivalent to prevent damage to the product.

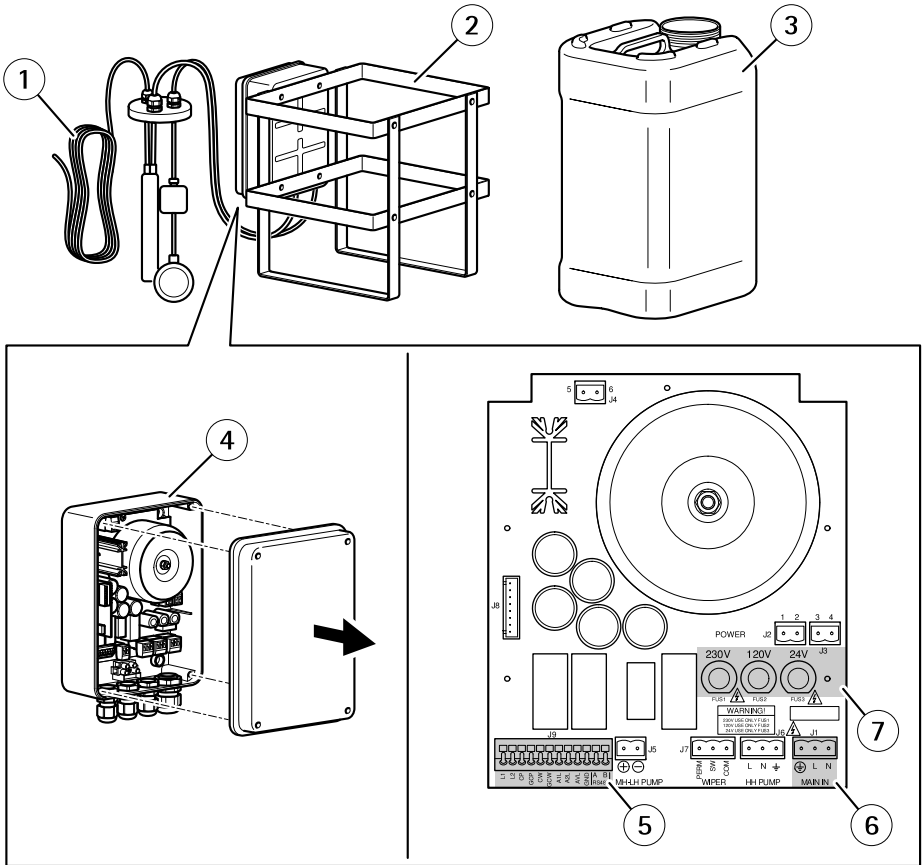


## Package contents

- Washer unit (metal cage, connection box, tank with components)
- Straps
- Silicon sheath
- Nozzle support bracket
- Hose
- Nozzle
- Lock washer
- Screws
- Grommet
- Printed materials
  - Installation Guide (this document)

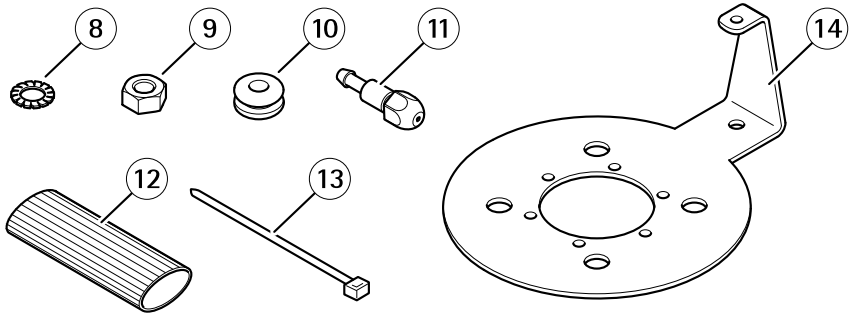
# AXIS TQ6905-E Washer Kit

## Hardware overview



- 1 Hose
- 2 Metal cage
- 3 Tank
- 4 Connection box
- 5 Control terminal J9
- 6 Power supply terminal J1
- 7 Fuse positions

## AXIS TQ6905-E Washer Kit



EN

- 8 Lock washer
- 9 Nut
- 10 Grommet
- 11 Nozzle
- 12 Silicon sheath
- 13 Strap
- 14 Nozzle support bracket

# AXIS TQ6905-E Washer Kit

---

## How to install the product

### Mount the metal cage

1. Remove the tank from the metal cage.
2. Unscrew the tank plug and remove it from the tank.
3. Remove the pump and level gauge from the tank.
4. Mount the metal cage to a wall using screws.

See *Hardware overview on page 10* to locate the parts.

#### **CAUTION**

Before starting any operation, make sure the power supply is disconnected.

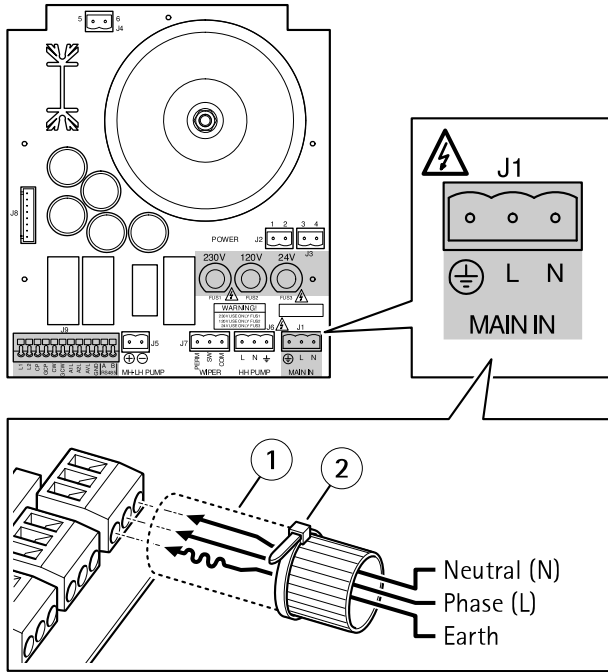
#### **NOTICE**

- The product must be fastened with suitable equipment. The fastening means must guarantee to hold a force equal to at least 3 times the weight of the product.

### Route the cables

For information about how to route the cables please refer to the installation guide of your compatible Axis product.

## Connect the cables

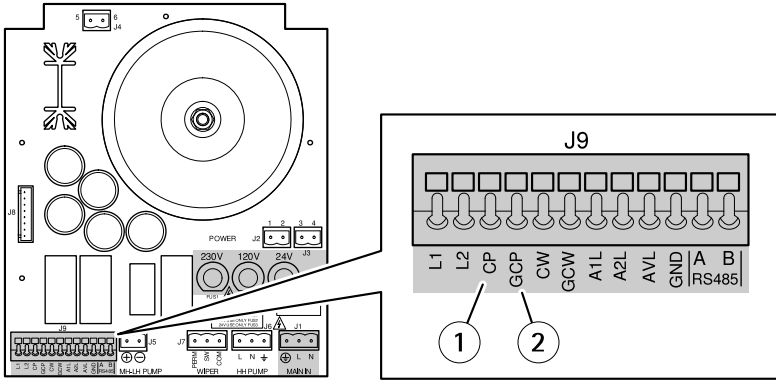


- 1 Silicone sheath
- 2 Strap

### NOTICE

- Make sure the the earth cable is 10mm (4 in) longer than the other two cables. It will decrease the risk of the of the earth cable to be disconnected accidentally if it is pulled.
- All the conductors of terminals must be separated from the other low voltage circuits. The disconnection of a wire must not compromise the protection against electric shocks.

# AXIS TQ6905-E Washer Kit



- 1 CP
- 2 GCP

1. Connect the I/O-cable to the J9 control terminal according to the table.

**Note**

All connections of terminal J9 must have a very low safety voltage.

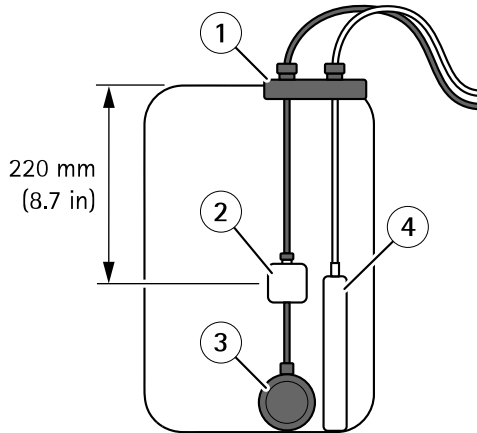
2. Make sure the I/O-cable is connected to the pins on the I/O-connector according to the table.

Description	J9 control terminal	I/O-connector pin
Pump control	CP	Pin 3-6 (digital output)
GND (pump control)	GCP	Pin 1 (DC-ground)

3. Connect the I/O-connector to your compatible Axis product. For information refer to the installation guide of that Axis product.

**Note**

The I/O-connector is not included in the kit.



- 1 Tank plug
- 2 Weight
- 3 Float
- 4 Pump

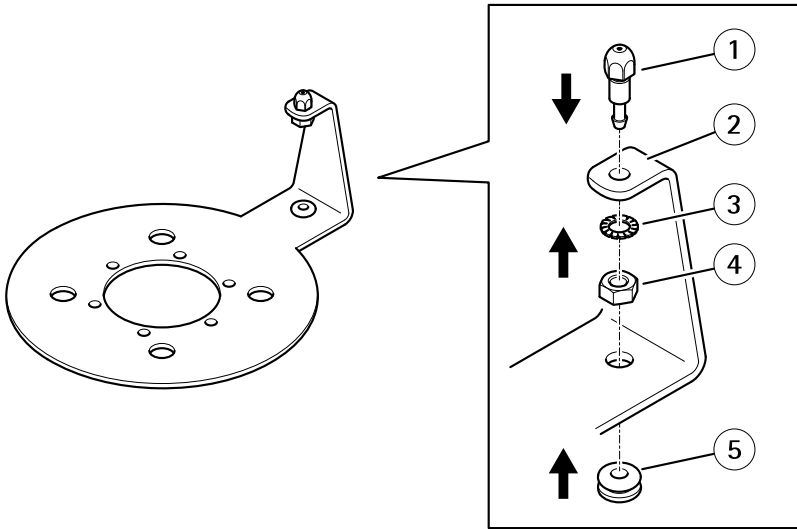
1. Fill the tank with water.
2. Place the tank in the metal cage.
3. Adjust the position of the weight. Position it 220 mm from the tank plug.
4. Put the pump and float inside the tank according to the illustration.
5. Attach the tank plug.

**NOTICE**

Do not start the pump when the tank is empty.

The float needs to be able to move freely in order to not damage the pump.

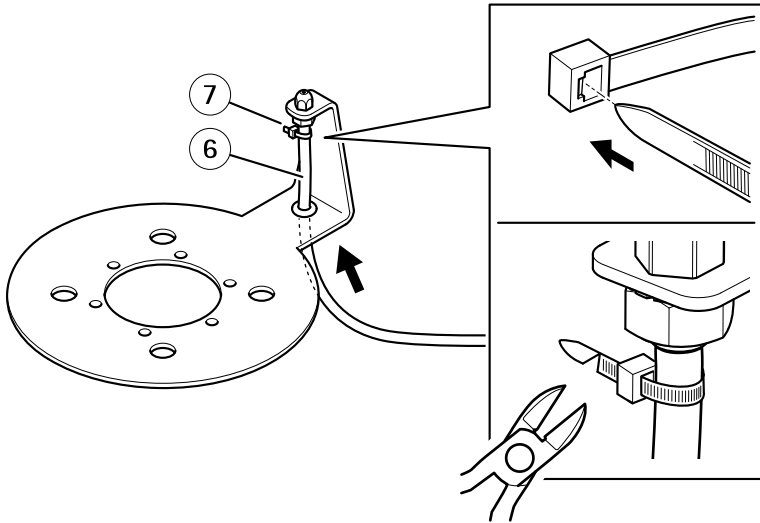
## Mount the nozzle, the nozzle support bracket and the hose



- 1 Nozzle
- 2 Nozzle support bracket
- 3 Lock washer
- 4 Nut
- 5 Grommet

1. Attach the nozzle to the nozzle support bracket by means of the washer and the nut.
2. Attach the grommet to the nozzle support bracket.



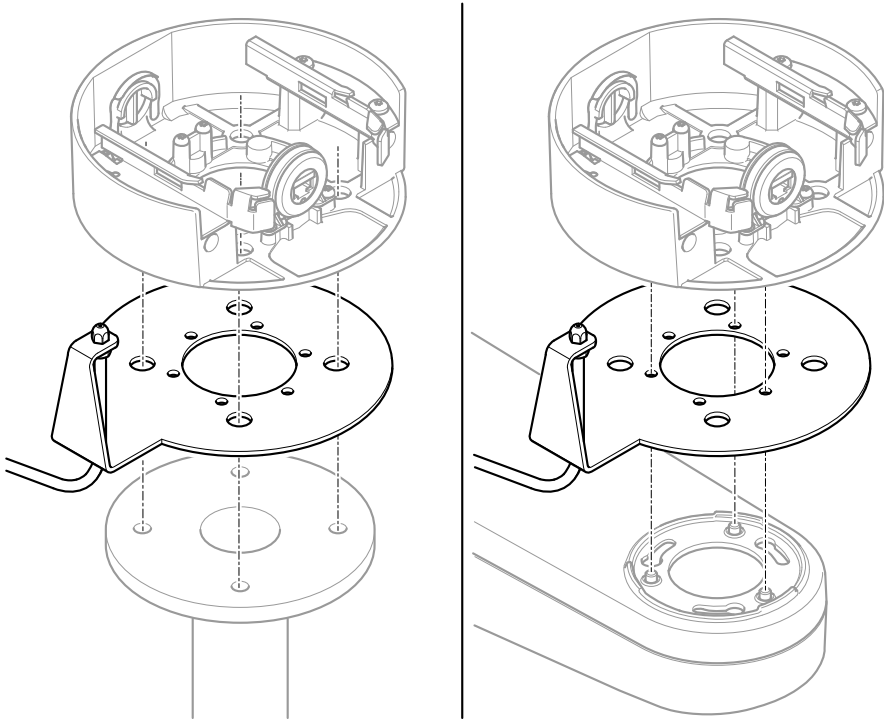


- 6 *Hose*
- 7 *Strap*

3. Run the hose through the grommet.
4. Attach the hose to the nozzle.
5. Secure the hose with a strap.

## AXIS TQ6905-E Washer Kit

---



6. Attach the nozzle support bracket to the support unit by means of the screws.

### Configure the washer

Configure the washer to finalize the installation of the washer kit.

If your Axis network camera can be configured from the LiveView, please refer to the user manual of your camera. Otherwise, refer Axis support for more information.

## Further information

- For the latest version of this document, see [axis.com](https://axis.com)
- For useful online trainings and webinars, see [axis.com/academy](https://axis.com/academy)

## Required accessories

AXIS T6101 Audio and I/O Interface

## Optional accessories

For a complete list of available accessories for this product, go to the product's page on [axis.com](https://axis.com) and select Software & Accessories.

# AXIS TQ6905-E Washer Kit

## Specifications

To find the latest version of the product's datasheet, go to the product page at [axis.com](http://axis.com) and locate **Support & Documentation**.

## Operating Conditions

Maximum temperature	Minimum temperature Antifreeze liquid in solution (full performance)	Minimum temperature Antifreeze liquid in solution (reduced performance)
60°C (140°F)	-10°C (14°F)	-25°C (-13°F)

## Power Consumption

AC	Current Consumption	Power Line Frequency
230 VAC	0.3 A	50/60 Hz
120 VAC	0.6 A	50/60 Hz
24 VAC	1.8 A	50/60 Hz

## Fuses

AXIS Washer Kit comes with a pre-mounted fuse for 230V in position FUS1. If the power supply is different, remove the fuse from position FUS1 and insert it in correct position (FUS2 or FUS3). See table.

### **⚠ CAUTION**

- Electrical connections must be performed with the power supply disconnected and the circuit-breaker open.
- When commencing installation make sure that the specifications for the power supply correspond with those required by the device.

Voltage	Fuse holder
230 VAC	FUS1 (pre-mounted)
120 VAC	FUS2
24 VAC	FUS3

See *Hardware overview on page 10* for fuse positions.

**NOTICE**

- Make sure that the power source and connecting cables are suitable for the power consumption of the system.
- Use a power cable that is suitable for outdoor use.



## Informations sur la sécurité

### Niveaux de risques

#### **▲ DANGER**

Indique une situation dangereuse qui, si elle n'est pas évitée, entraînera le décès ou des blessures graves.

#### **▲ AVERTISSEMENT**

Indique une situation dangereuse qui, si elle n'est pas évitée, pourrait entraîner le décès ou des blessures graves.

#### **▲ ATTENTION**

Indique une situation dangereuse qui, si elle n'est pas évitée, pourrait entraîner des blessures légères ou modérées.

#### **AVIS**

Indique une situation qui, si elle n'est pas évitée, pourrait endommager l'appareil.

### Autres niveaux de message

#### **Important**

Indique les informations importantes, nécessaires pour assurer le bon fonctionnement de l'appareil.

#### **Note**

Indique les informations utiles qui permettront d'obtenir le fonctionnement optimal de l'appareil.

## Consignes de sécurité

### **▲AVERTISSEMENT**

Le produit Axis doit être installé par un professionnel qualifié et conformément aux lois et réglementations locales en vigueur.

### **AVIS**

- Le produit Axis doit être utilisé conformément aux lois et règlements locaux.
- Conserver ce produit Axis dans un environnement sec et ventilé.
- Ne pas exposer ce produit Axis aux chocs ou aux fortes pressions.
- Ne pas exposer ce produit Axis aux vibrations.
- Ne pas installer ce produit sur des poteaux, supports, surfaces ou murs instables.
- Ne pas installer ce produit sur des poteaux, supports, surfaces ou murs soumis à des vibrations.
- Utiliser uniquement des outils recommandés pour l'installation de l'appareil Axis. L'application d'une force excessive sur l'appareil avec des outils puissants pourrait l'endommager.
- Utiliser uniquement des accessoires conformes aux caractéristiques techniques de votre produit. Ils peuvent être fournis par Axis ou un tiers. Axis recommande d'utiliser un équipement d'alimentation Axis compatible avec votre produit.
- Utiliser uniquement les pièces de rechange fournies ou recommandées par Axis.
- Ne pas essayer de réparer vous-même ce produit. Contacter l'assistance technique d'Axis ou votre revendeur Axis pour des problèmes liés à l'entretien.
- Utilisez un câble de mise à la terre de couleur jaune/vert d'au moins 0,5 mm<sup>2</sup> ou 20 AWG.

## Transport

### **AVIS**

- Lors du transport du produit Axis, utilisez l'emballage d'origine ou un équivalent pour éviter d'endommager le produit.

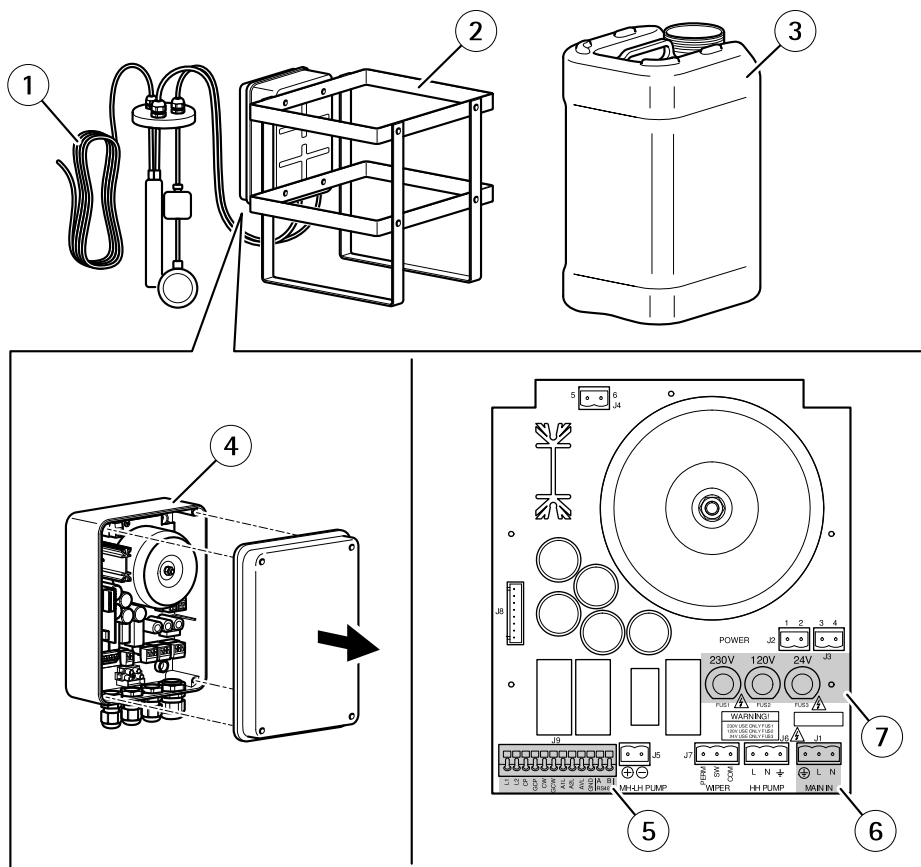


## Contenu de l'emballage

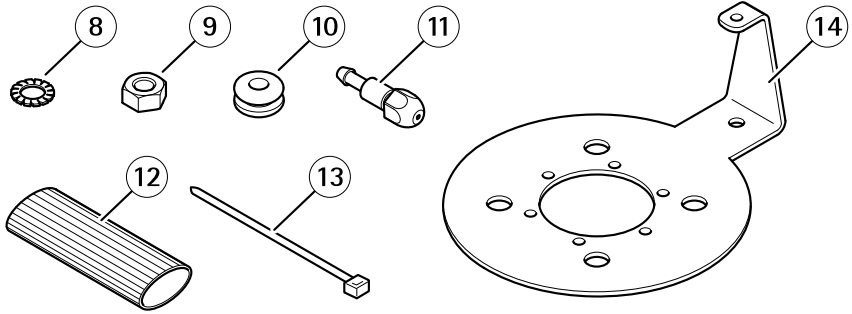
- Unité de lavage (cage métallique, boîtier électrique, réservoir avec composants)
- Sangles
- Gaine en silicone
- Support de buse
- Flexible
- Buse
- Rondelle de blocage
- Vis
- Passe-câble
- Documents imprimés
  - Guide d'installation (ce document)

# AXIS TQ6905-E Washer Kit

## Aperçu du matériel



- 1 Flexible
- 2 Cage métallique
- 3 Réservoir
- 4 Boîtier électrique
- 5 Borne de contrôle J9
- 6 Borne d'alimentation J1
- 7 Positions des fusibles



FR

- 8 *Rondelle de blocage*
- 9 *Écrou*
- 10 *Passe-câble*
- 11 *Buse*
- 12 *Gaine en silicone*
- 13 *Sangle*
- 14 *Support de buse*

### Comment installer le produit

#### Montez la cage métallique

1. Retirez le réservoir de la cage métallique.
2. Dévissez le bouchon du réservoir et retirez-le du réservoir.
3. Retirez la pompe et la jauge de niveau du réservoir.
4. Montez la cage métallique sur un mur à l'aide de vis.

Voir *Aperçu du matériel* page 26 pour trouver les pièces.

#### **⚠ATTENTION**

Avant toute manipulation, assurez-vous que l'alimentation est débranchée.

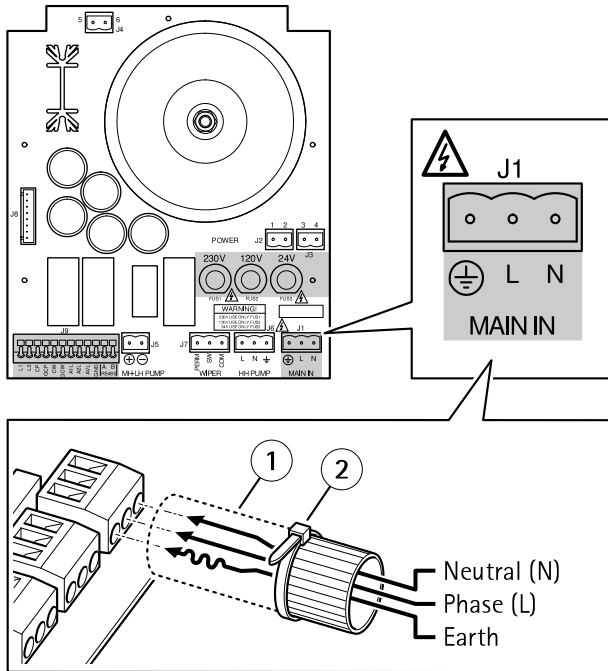
#### **AVIS**

- Le produit doit être fixé avec un équipement approprié. Les fixations utilisées doivent pouvoir retenir une force égale à au moins 3 fois le poids du produit.

#### Acheminez les câbles

Pour plus d'informations sur l'acheminement des câbles, reportez-vous au guide d'installation de votre produit Axis compatible.

## Branchez les câbles

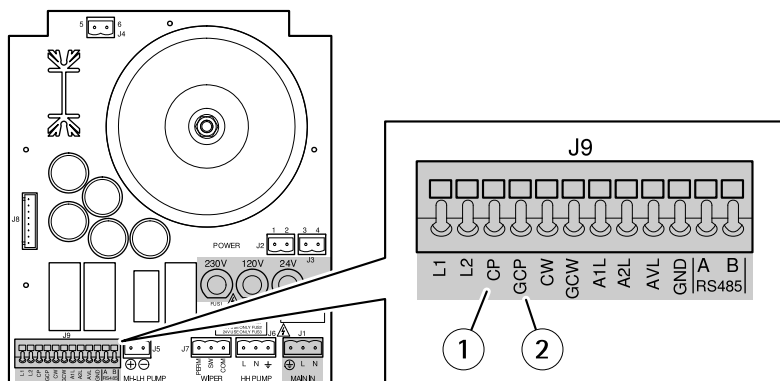


- 1 Gaine en silicone
- 2 Sangle

### AVIS

- Veillez à ce que le câble de terre soit 10 mm (4 po) plus long que les deux autres câbles. Cela diminue le risque que le câble de terre soit débranché accidentellement s'il est tiré.
- Tous les conducteurs des bornes doivent être séparés des autres circuits basse tension. Le débranchement d'un câble ne doit pas compromettre la protection contre les chocs électriques.

# AXIS TQ6905-E Washer Kit



- 1 CP
- 2 GCP

1. Branchez le câble d'E/S à la borne de contrôle J9 conformément au tableau.

### Note

Toutes les connexions à la borne J9 doivent avoir une tension de sécurité très faible.

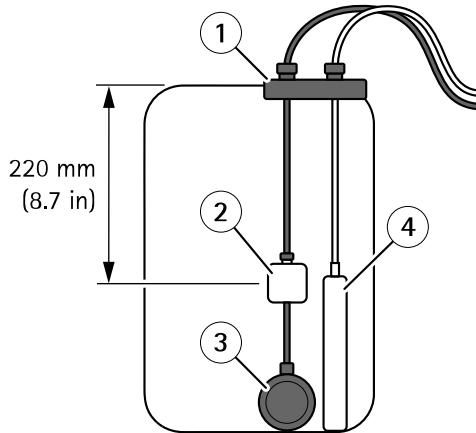
2. Assurez-vous que le câble d'E/S est raccordé aux broches du connecteur d'E/S conformément au tableau.

Description	Borne de contrôle J9	Broche de connecteur d'E/S
Contrôle de la pompe	CP	Broche 3-6 (sortie numérique)
GND (contrôle de la pompe)	GCP	Broche 1 (CC-terre)

3. Branchez le connecteur d'E/S à votre produit Axis compatible. Pour plus d'informations, reportez-vous au guide d'installation de ce produit Axis.

### Note

Le connecteur d'E/S n'est pas inclus dans le kit.



- 1 *Bouchon du réservoir*
- 2 *Poids*
- 3 *Flotteur*
- 4 *Pompe*

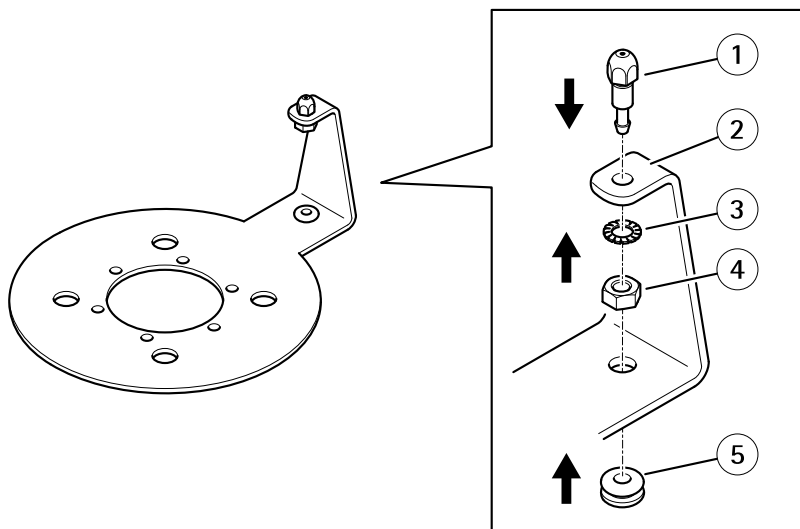
1. Remplissez d'eau le réservoir.
2. Placez le réservoir dans la cage métallique.
3. Ajustez la position du poids. Positionnez-le à 220 mm du bouchon du réservoir.
4. Mettez la pompe et le flotteur à l'intérieur du réservoir conformément à l'illustration.
5. Fixez le bouchon du réservoir.

**AVIS**

Ne faites pas démarrer la pompe lorsque le réservoir est vide.

Le flotteur doit pouvoir se déplacer librement afin de ne pas endommager la pompe.

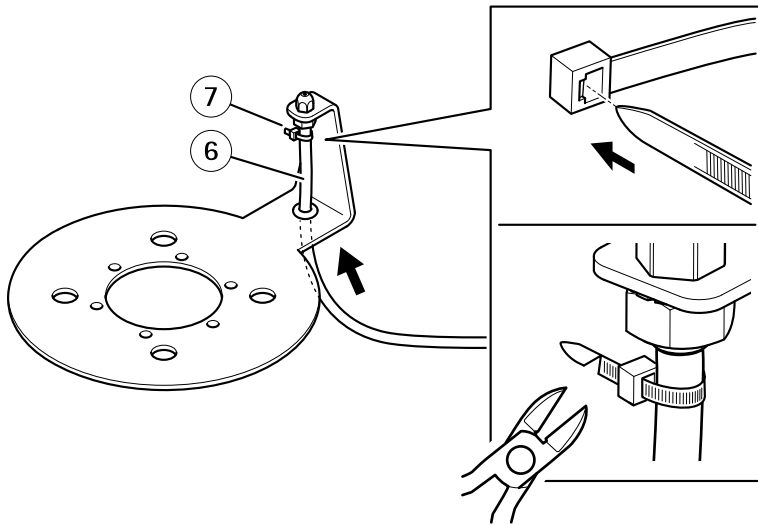
### Montez la buse, le support de buse et le flexible



- 1 Buse
- 2 Support de buse
- 3 Rondelle de blocage
- 4 Écrou
- 5 Passe-câble

1. Fixez la buse au support de buse à l'aide de la rondelle et de l'écrou.
2. Attachez le passe-câble au support de la buse.

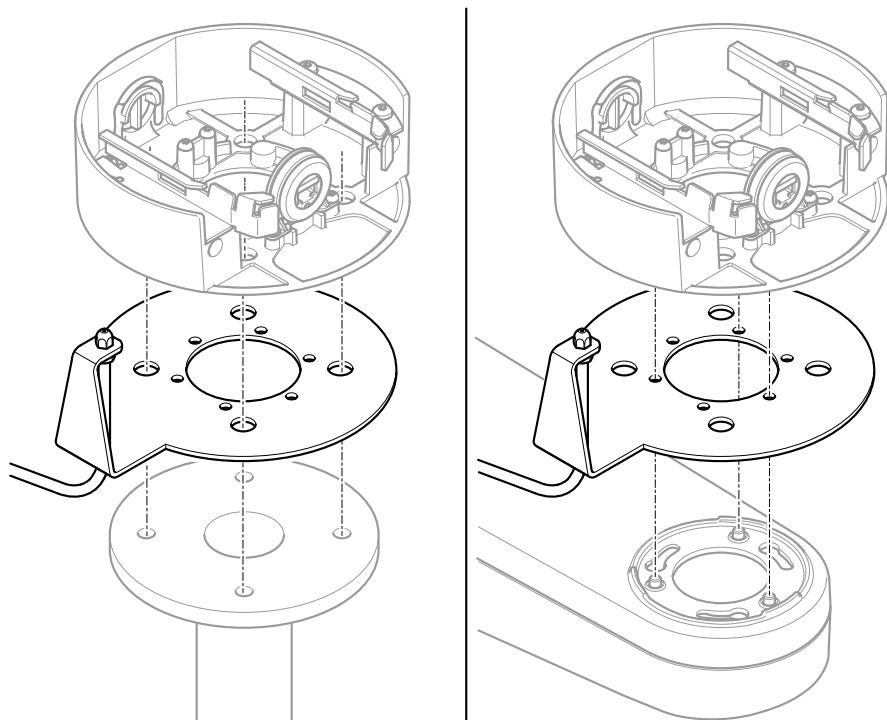




FR

6 Flexible  
7 Sangle

3. Faites passer le flexible à travers le passe-câble.
4. Raccordez le flexible à la buse.
5. Fixez le flexible avec une sangle.



6. Fixez le support de buse à l'unité de support à l'aide de vis.

### Configurer la laveuse

Configurez la laveuse pour finaliser l'installation du kit de lavage.

Si votre caméra réseau Axis peut être configurée à partir de LiveView, reportez-vous au mode d'emploi de votre caméra. Sinon, consultez l'assistance Axis pour plus d'informations.

## Informations complémentaires

- Pour obtenir la version la plus à jour de ce document, voir [axis.com](http://axis.com)
- Pour accéder à des formations et webinaires en ligne utiles, voir [axis.com/academy](http://axis.com/academy)

## Accessoires nécessaires

AXIS T6101 Audio and I/O Interface

FR

## Accessoires en option

Pour une liste complète des accessoires disponibles pour ce produit, accédez à la page du produit sur [axis.com](http://axis.com) et sélectionnez Logiciel et accessoires.

# AXIS TQ6905-E Washer Kit

## Caractéristiques

Pour obtenir la dernière version de la fiche technique du produit, rendez-vous sur la page du produit sur le site *axis.com* et trouvez l'option **Support & Documentation (Assistance et documentation)**.

## Conditions d'utilisation

Température maximale	Température minimale Liquide antigel dans solution (performance maxi.)	Température minimale Liquide antigel dans solution (performance réduite)
60 °C (140 °F)	-10 °C (14 °F)	-25 °C (-13 °F)

## Consommation électrique

CA	Consommation de courant	Fréquence d'alimentation
230 V CA	0,3 A	50/60 Hz
120 V CA	0,6 A	50/60 Hz
24 V CA	1,8 A	50/60 Hz

## Fusibles

AXIS Washer Kit est livré avec un fusible pré-installé pour 230 V en position FUS1. Si l'alimentation est différente, retirez le fusible de la position FUS1 et insérez-le dans la bonne position (FUS2 ou FUS3). Voir le tableau.

### **ATTENTION**

- Les raccordements électriques doivent être effectués avec l'appareil hors tension et le disjoncteur ouvert.
- Lorsque vous commencez l'installation, vérifiez que les caractéristiques de l'alimentation électrique correspondent à celles exigées par l'appareil.

Tension	Porte-fusibles
230 V CA	FUS1 (pré-installée)
120 V CA	FUS2
24 V CA	FUS3

cf. *Aperçu du matériel* page 26 pour la position des fusibles.

**AVIS**

- Vérifiez que les câbles d'alimentation et de raccordement conviennent à la consommation électrique du système.
- Utilisez un câble d'alimentation adapté à une utilisation en extérieur.



## Sicherheitsinformationen

### Gefährdungsstufen

#### **▲GEFAHR**

Weist auf eine gefährliche Situation hin, welche, falls nicht verhindert, zu Tod oder schweren Verletzungen führen kann.

#### **▲WARNUNG**

Weist auf eine gefährliche Situation hin, welche, falls nicht verhindert, zu Tod oder schweren Verletzungen führen kann.

#### **▲VORSICHT**

Weist auf eine gefährliche Situation hin, welche, falls nicht verhindert, zu geringfügiger oder mäßiger Verletzung führen kann.

#### **HINWEIS**

Weist auf eine gefährliche Situation hin, welche, falls nicht verhindert, zu Sachschäden führen kann.

DE

### Andere Meldeebenen

#### **Wichtig**

Weist auf wichtige Informationen hin, die den richtigen Betrieb des Produkts gewährleisten.

#### **Beachten**

Weist auf nützliche Informationen hin, die die optimale Verwendung des Produkts unterstützen.

## Sicherheitsanweisungen

### **⚠ WARNUNG**

Das Axis Produkt muss von fachmännisch geschultem Personal und unter Einhaltung der örtlich geltenden Bestimmungen installiert werden.

### **HINWEIS**

- Das Axis Produkt muss unter Beachtung der geltenden Gesetze und Bestimmungen betrieben werden.
- Lagern Sie das Axis Produkt in einer trockenen und belüfteten Umgebung.
- Das Axis Produkt weder Stößen noch starkem Druck aussetzen.
- Das Axis Produkt keinen Schwingungen aussetzen.
- Das Produkt nicht an instabilen Masten, Halterungen, Oberflächen oder Wänden anbringen.
- Installieren Sie das Produkt nicht an vibrierenden Masten, Halterungen, Oberflächen oder Wänden.
- Verwenden Sie bei der Installation des Axis Produkts ausschließlich passende Werkzeuge. Ein zu großer Kraftaufwand mit elektrischen Werkzeugen kann das Produkt beschädigen.
- Verwenden Sie nur Zubehör, das den technischen Vorgaben Ihres Produkts entspricht. Dieses ist von Axis oder Drittanbietern erhältlich. Axis empfiehlt die mit Ihrem Produkt kompatible Stromversorgung von Axis.
- Verwenden Sie ausschließlich Ersatzteile die von Axis angeboten oder empfohlen werden.
- Versuchen Sie nicht, dieses Produkt selbsttätig zu reparieren. Wenden Sie sich bezüglich Reparatur und Wartung an den Axis Support oder Ihren Axis Händler.
- Verwenden Sie ein gelb/grün gekennzeichnetes Erdungskabel mit einem Querschnitt von mindestens 0,5 mm<sup>2</sup>.

## Transport

### **HINWEIS**

- Bei Bedarf transportieren Sie das Axis Produkt in der Originalverpackung oder einer entsprechenden Verpackung, so dass Schäden vermieden werden.

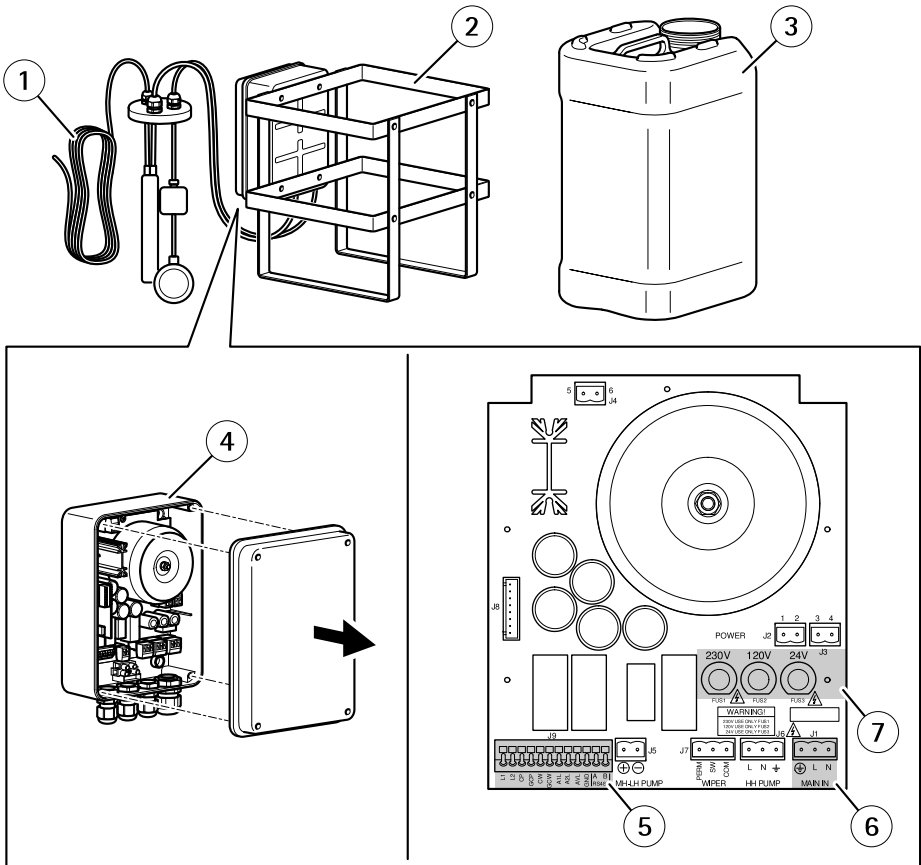


## Lieferumfang

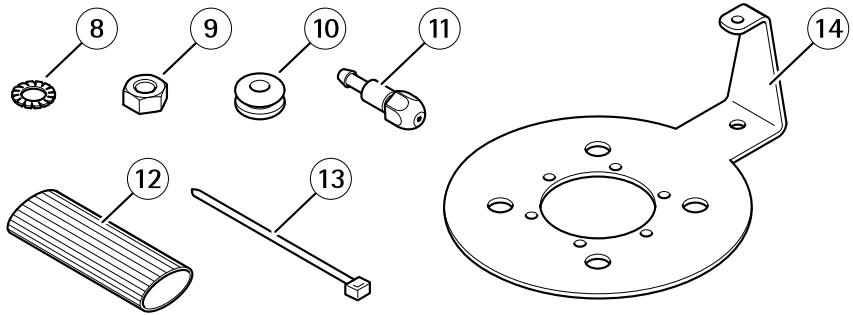
- Waschanlage (Metallkäfig, Anschlusskasten, Tank mit Komponenten)
- Kabelbinder
- Silikonummantelung
- Düsenhalterung
- Schlauch
- Düse
- Sicherungsscheibe
- Schrauben
- Öse
- Gedruckte Dokumente
  - Installationsanleitung (dieses Dokument)

# AXIS TQ6905-E Washer Kit

## Übersicht über die Hardware



## AXIS TQ6905-E Washer Kit



- 8 Sicherungsscheibe
- 9 Mutter
- 10 Öse
- 11 Düse
- 12 Silikonummantelung
- 13 Kabelbinder
- 14 Düsenhalterung

DE

## Installieren des Produkts

### Montieren des Metallkäfigs

1. Entfernen Sie den Tank aus dem Metallkäfig.
2. Schrauben Sie den Tankanschluss ab und entfernen Sie diesen vom Tank.
3. Entnehmen Sie die Pumpe und die Füllstandsanzeige aus dem Tank.
4. Bringen Sie den Metallkäfig mithilfe von Schrauben an einer Wand an.

Informationen zur Position der Teile finden Sie unter *Übersicht über die Hardware auf Seite 42*.

#### **⚠ VORSICHT**

Stellen Sie sicher, dass das Netzteil nicht angeschlossen ist, bevor Sie fortfahren.

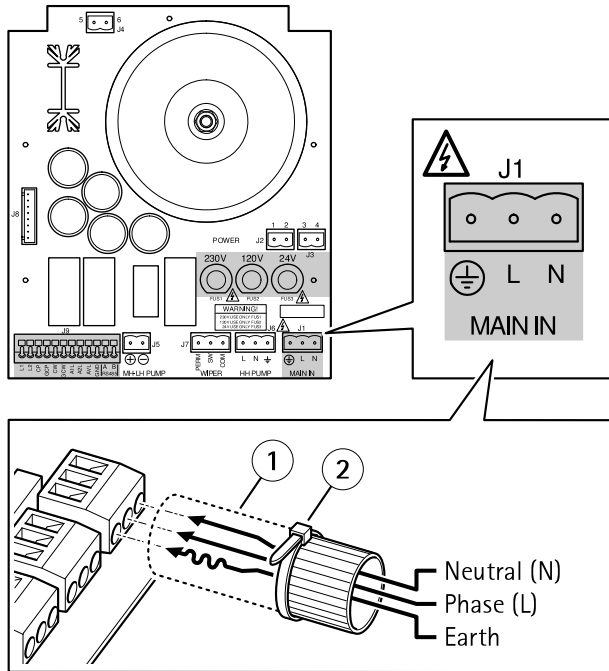
#### **HINWEIS**

- Das Produkt muss mit geeigneten Teilen befestigt werden. Die Befestigung muss für eine Belastung mit mindestens dem Dreifachen des Produktgewichts ausgelegt sein.

### Verlegen der Kabel

Informationen zur Kabelführung finden Sie in der Installationsanleitung Ihres kompatiblen Axis Produkts.

## Anschließen der Kabel

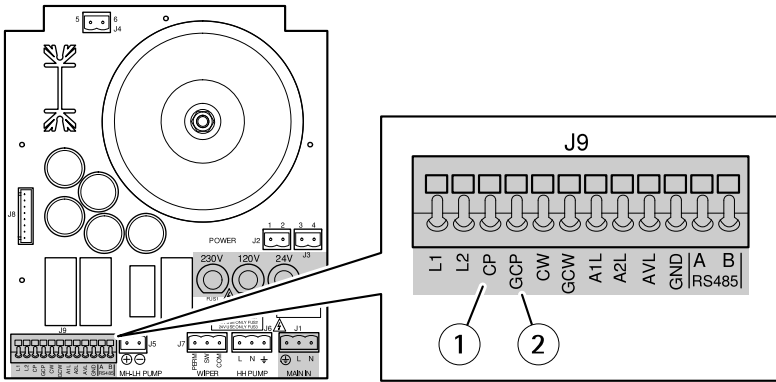


- 1 Silikonummantelung
- 2 Kabelbinder

### HINWEIS

- Stellen Sie sicher, dass der Erdungsleiter um 10 mm länger ist als die beiden anderen Kabel. Dadurch wird das Risiko verringert, dass der Erdungsleiter bei Zugbelastung unbeabsichtigt getrennt wird.
- Alle Leiter der Anschlüsse müssen von den anderen Niederspannungsstromkreisen getrennt werden. Das Trennen eines Leiters darf den Schutz vor elektrischen Schlägen nicht beeinträchtigen.

# AXIS TQ6905-E Washer Kit



- 1 CP
- 2 GCP

1. Schließen Sie gemäß der folgenden Tabelle das E/A-Kabel an den Steuerungsanschluss J9 an.

## Beachten

Alle Verbindungen an Anschluss J9 müssen eine sehr geringe Schutzspannung aufweisen.

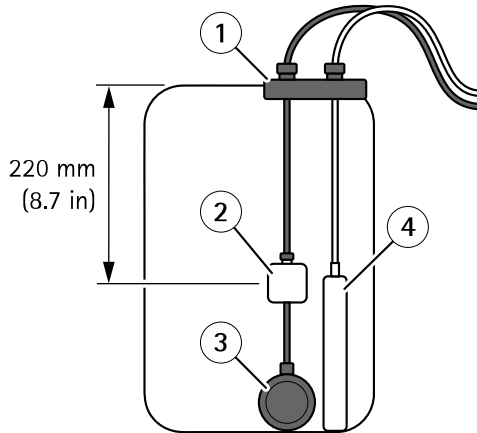
2. Stellen Sie sicher, dass das E/A-Kabel gemäß der folgenden Tabelle an die Kontakte des E/A-Anschlusses angeschlossen ist.

Beschreibung	Steuerungsanschluss J9	E/A-Anschlusskontakt
Pumpensteuerung	CP	Kontakt 3 bis 6 (Digitalausgang)
GND (Pumpensteuerung)	GCP	Kontakt 1 (Masse)

3. Schließen Sie den E/A-Anschluss an Ihr kompatibles Axis Produkt an. Informationen finden Sie in der Installationsanleitung des Axis Produkts.

## Beachten

Der E/A-Anschluss ist nicht im Set enthalten.



- 1 Tankanschluss
- 2 Stärke
- 3 Schwimmer
- 4 Pumpe

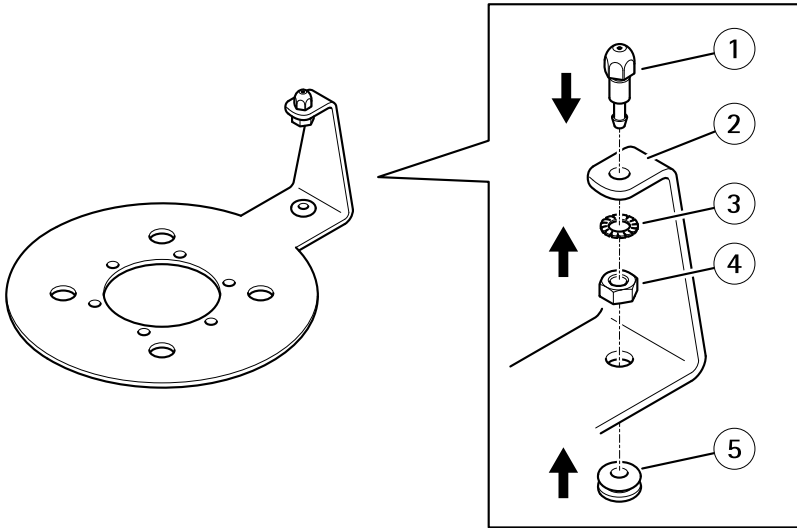
1. Befüllen Sie den Tank mit Wasser.
2. Setzen Sie ihn in den Metallkäfig ein.
3. Bringen Sie das Gewicht an die gewünschte Position. Montieren Sie es 220 mm vom Tankanschluss entfernt.
4. Setzen Sie die Pumpe und den Schwimmer gemäß der folgenden Abbildung in den Tank ein.
5. Bringen Sie den Tankanschluss an.

## **HINWEIS**

Nehmen Sie die Pumpe nicht mit leerem Tank in Betrieb.

Der Schwimmer muss sich frei bewegen können, damit die Pumpe nicht beschädigt wird.

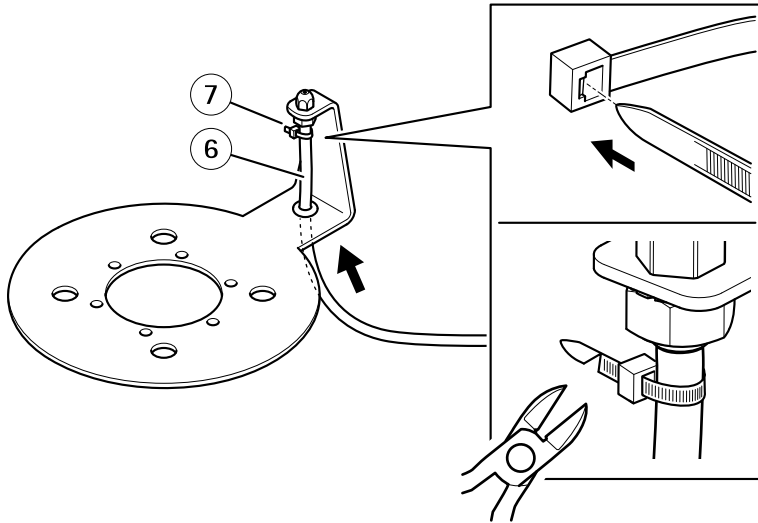
## Montieren der Düse, der Düsenhalterung und des Schlauchs



- 1 Düse
- 2 Düsenhalterung
- 3 Sicherungsscheibe
- 4 Mutter
- 5 Öse

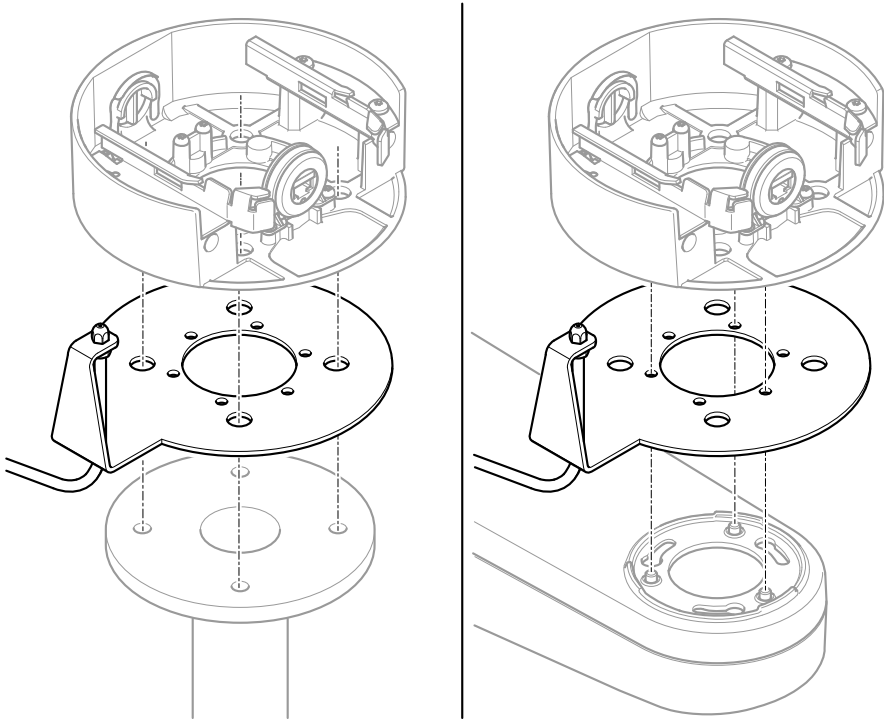
1. Befestigen Sie die Düse mithilfe der Unterlegscheibe und der Mutter an der Düsenhalterung.
2. Bringen Sie die Öse an der Düsenhalterung an.





- 6 Schlauch  
7 Kabelbinder

3. Führen Sie den Schlauch durch die Öse.
4. Bringen Sie den Schlauch an der Düse an.
5. Sichern Sie den Schlauch mit einem Kabelbinder.



6. Befestigen Sie die Düsenhalterung mithilfe der Schrauben an der Halterung.

### Konfigurieren des Wäschers

Mit der Konfiguration des Wäschers schließen Sie die Installation der Waschanlage ab.

Wenn Ihre Axis Netzwerk-Kamera über die Live-Ansicht konfiguriert werden kann, finden Sie weitere Informationen im Benutzerhandbuch Ihrer Kamera. Wenden Sie sich andernfalls an den Axis Support.

## Weitere Informationen

- Die aktuelle Version dieses Dokuments finden Sie auf [axis.com](http://axis.com)
- Nützliches Onlinetraining und Webinare finden Sie unter [axis.com/academy](http://axis.com/academy).

## Erforderliches Zubehör

AXIS T6101 Audio and I/O Interface

DE

## Optionales Zubehör

Eine vollständige Liste lieferbaren Zubehörs für dieses Produkt finden Sie auf [axis.com](http://axis.com) unter Produkt, Software und Zubehör.

# AXIS TQ6905-E Washer Kit

## Technische Daten

Die aktuelle Version des technischen Datenblatts für das Produkt finden Sie auf [axis.com](http://axis.com) unter Support und Dokumentation.

## Betriebsbedingungen

Maximale Temperatur	Minimale Temperatur Frostschutzmittellösung (volle Leistung)	Minimale Temperatur Frostschutzmittellösung (reduzierte Leistung)
60 °C	-10 °C	-25 °C

## Stromverbrauch

Wechselstrom	Stromverbrauch	Netzfrequenz
230 V AC	0,3 A	50/60 Hz
120 V AC	0,6 A	50/60 Hz
24 V AC	1,8 A	50/60 Hz

## Sicherungen

Die AXIS Waschanlage wird mit einer 230-V-Sicherung auf Position FUS1 geliefert. Entfernen Sie bei einer anderen Versorgungsspannung die Sicherung aus Position FUS1 und setzen Sie diese an der richtigen Position (FUS2 oder FUS3) ein. Siehe Tabelle.

### **▲VORSICHT**

- Elektrische Leitungen müssen bei getrennter Stromversorgung und geöffnetem Trennschalter angeschlossen werden.
- Gehen Sie zu Beginn der Installation sicher, dass die Stromversorgung den Anforderungen des Geräts entspricht.

Spannung	Sicherungshalter
230 V AC	FUS1 (vormontiert)
120 V AC	FUS2
24 V AC	FUS3

Informationen zu Sicherungspositionen finden Sie unter *Übersicht über die Hardware auf Seite 42*.

### **HINWEIS**

- Stellen Sie sicher, dass die Stromquelle und die Anschlusskabel für den Stromverbrauch des Systems geeignet sind.
- Verwenden Sie ein für den Einsatz im Außenbereich geeignetes Netzkabel.



## Informazioni di sicurezza

### Livelli di pericolo

#### **▲PERICOLO**

Indica una situazione pericolosa che, se non evitata, provoca morte o lesioni gravi.

#### **▲AVVERTENZA**

Indica una situazione pericolosa che, se non evitata, potrebbe provocare la morte o lesioni gravi.

#### **▲ATTENZIONE**

Indica una situazione pericolosa che, se non evitata, potrebbe provocare lesioni medie o minori.

#### **AVVISO**

Indica una situazione che, se non evitata, potrebbe danneggiare la proprietà.

IT

### Altri livelli di messaggio

#### Importante

Indica informazioni importanti, essenziali per il corretto funzionamento del dispositivo.

#### Nota

Indica informazioni utili che aiutano a ottenere il massimo dal dispositivo.

## Informazioni di sicurezza

### **⚠AVVERTENZA**

Il dispositivo Axis deve essere installato da un professionista qualificato, in conformità alle leggi e alle disposizioni locali.

### **AWISO**

- Il dispositivo Axis deve essere utilizzato in conformità alle leggi e alle normative locali.
- Conservare il dispositivo Axis in un ambiente asciutto e ventilato.
- Evitare di esporre il dispositivo Axis a urti o pressioni eccessive.
- Evitare di esporre il dispositivo Axis a vibrazione.
- Non installare il dispositivo su supporti, superfici, pareti o pali instabili.
- Non installare il dispositivo su supporti, superfici, pareti o pali che vibrano.
- Utilizzare solo strumenti applicabili quando si installa il dispositivo Axis. Se si utilizza una forza eccessiva con strumenti non adatti è possibile causare danni al dispositivo.
- Utilizzare solo accessori compatibili con le specifiche tecniche del dispositivo. Questi possono essere forniti da Axis o da terze parti. Axis consiglia l'uso dell'apparecchiatura di alimentazione Axis compatibile con il dispositivo.
- Utilizzare solo parti di ricambio fornite o consigliate da Axis.
- Non tentare di riparare il dispositivo da soli. Contattare l'assistenza o il rivenditore Axis per questioni relative alla manutenzione.
- Utilizzare un cavo di messa a terra giallo o verde di almeno 0,5 mm<sup>2</sup> o 20 AWG.

## Trasporto

### **AWISO**

- Durante il trasporto del dispositivo Axis, utilizzare l'imballaggio originale o equivalente per evitare danni al dispositivo.

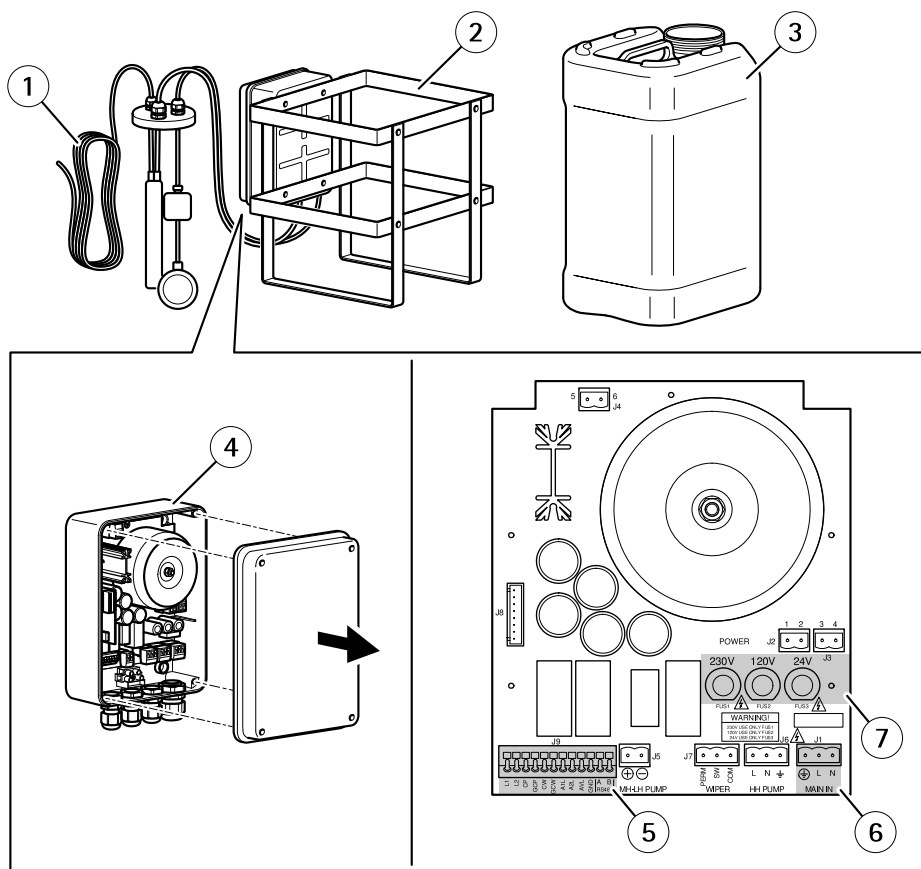


## Contenuto della confezione

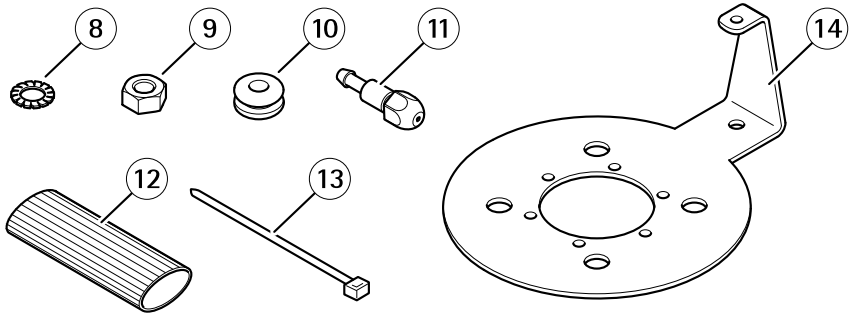
- Unità di lavaggio (gabbia in metallo, scatola di connessione, serbatoio con componenti)
- Cinghie
- Guaina in silicone
- Staffa di supporto dell'ugello
- Manichetta
- Ugello
- Rondella d'arresto
- Viti
- Anello di tenuta
- Documentazione
  - Guida all'installazione (questo documento)

# AXIS TQ6905-E Washer Kit

## Panoramica dell'hardware



- 1 Manichetta
- 2 Gabbia in metallo
- 3 Serbatoio
- 4 Scatola di connessione
- 5 Morsetti di controllo J9
- 6 Terminale alimentatore J1
- 7 Posizioni dei fusibili



- 8 *Rondella d'arresto*
- 9 *Dado*
- 10 *Anello di tenuta*
- 11 *Ugello*
- 12 *Guaina in silicone*
- 13 *Cinghia*
- 14 *Staffa di supporto dell'ugello*

### Come installare il dispositivo

#### Montaggio della gabbia in metallo

1. Rimuovere il serbatoio dalla gabbia in metallo.
2. Svitare la spina del serbatoio e rimuoverla dal serbatoio.
3. Rimuovere la pompa e il misuratore di livello dal serbatoio.
4. Fissare la gabbia in metallo a un muro utilizzando le viti.

Vedere *Panoramica dell'hardware alla pagina 58* per individuare le parti.

#### **ATTENZIONE**

Prima di iniziare qualsiasi attività, assicurarsi che l'alimentazione sia scollegata.

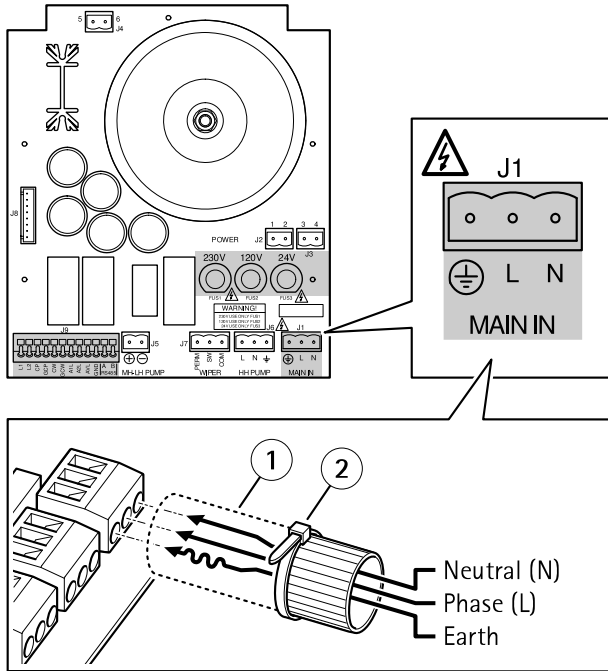
#### **AVISO**

- Il dispositivo deve essere fissato con attrezzature idonee. I mezzi di fissaggio devono garantire la tenuta di una forza pari ad almeno 3 volte il peso del dispositivo.

#### Instradamento dei cavi

Per ulteriori informazioni sull'instradamento dei cavi, fare riferimento alla Guida all'installazione del dispositivo Axis compatibile.

## Collegare i cavi

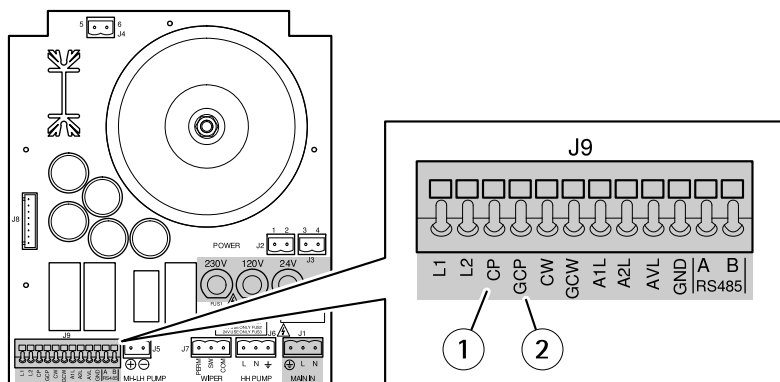


- 1 Guaina in silicone
- 2 Cinghia

### **AVVISO**

- Assicurarsi che il cavo di terra sia di 10 mm più lungo degli altri due cavi. In questo modo si riduce il rischio che il cavo di terra venga scollegato accidentalmente se tirato.
- Tutti i conduttori dei morsetti devono essere separati dagli altri circuiti a bassa tensione. Lo scollegamento di un filo non deve compromettere la protezione da scosse elettriche.

# AXIS TQ6905-E Washer Kit



- 1 CP
- 2 GCP

1. Collegare il cavo di I/O alla morsettiera di controllo J9 secondo quanto riportato nella tabella.

**Nota**

Tutte le connessioni della morsettiera J9 devono avere una bassissima tensione di sicurezza.

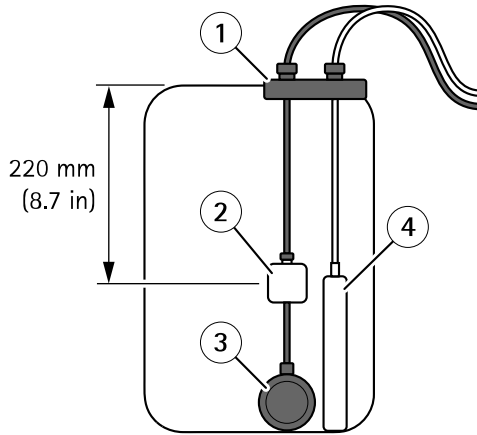
2. Assicurarsi che il cavo di I/O sia connesso ai pin sul connettore I/O secondo quanto riportato nella tabella.

Descrizione	Morsettiera di controllo J9	Pin del connettore I/O
Comando pompa	CP	Pin 3 - 6 (output digitale)
GND (comando pompa)	GCP	Pin 1 (terra CC)

3. Collegare il connettore I/O al dispositivo Axis compatibile. Per le informazioni, fare riferimento alla Guida all'installazione del dispositivo Axis.

**Nota**

Il connettore I/O non è incluso nel kit.



- 1 Spina del serbatoio
- 2 Peso
- 3 Galleggiante
- 4 Pompa

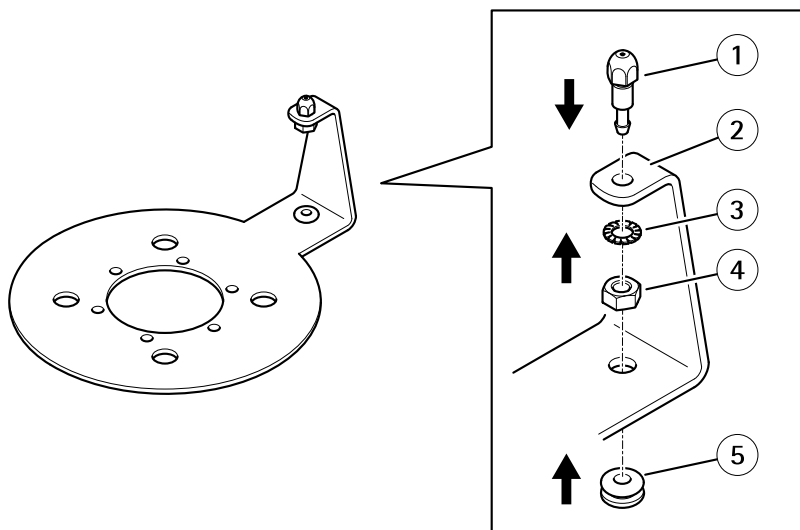
1. Riempire il serbatoio con acqua.
2. Posizionare il serbatoio nella gabbia in metallo.
3. Regolare la posizione del peso. Posizionarlo a 220 mm dalla spina del serbatoio.
4. Inserire la pompa e il galleggiante all'interno del serbatoio come mostrato nell'immagine.
5. Collegare la spina del serbatoio.

### **AVVISO**

Non avviare la pompa quando il serbatoio è vuoto.

Il galleggiante deve potersi muovere liberamente per non danneggiare la pompa.

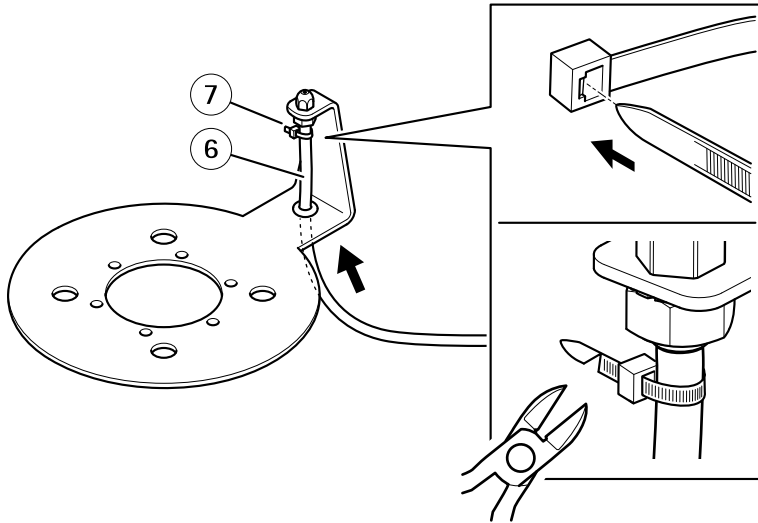
### Montaggio dell'ugello, della staffa di supporto dell'ugello e della manichetta



- 1 *Ugello*
- 2 *Staffa di supporto dell'ugello*
- 3 *Rondella d'arresto*
- 4 *Dado*
- 5 *Anello di tenuta*

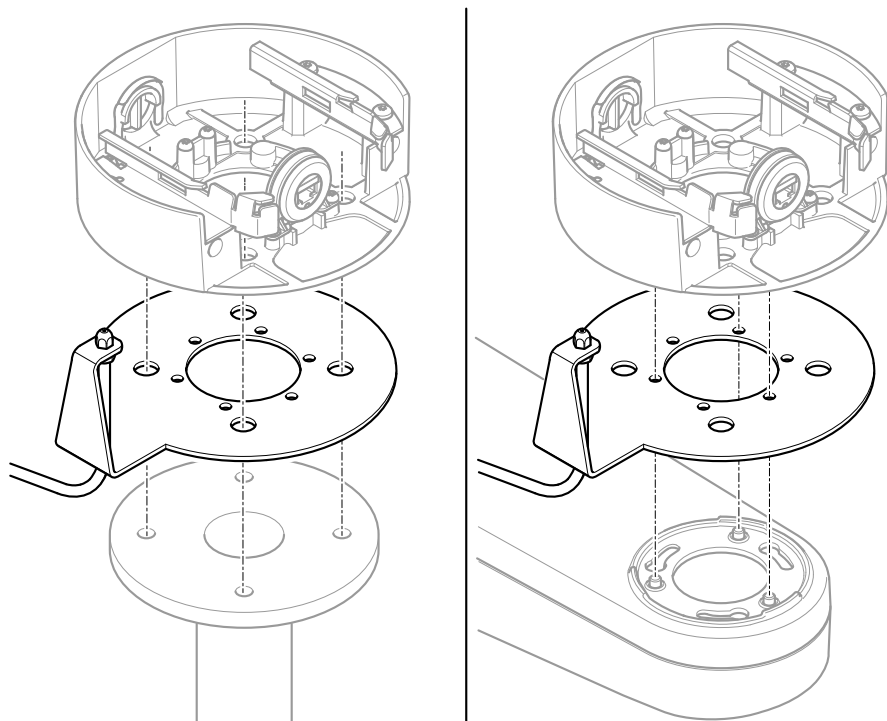
1. Fissare l'ugello alla staffa di supporto dell'ugello utilizzando la rondella e il dado.
2. Fissare l'anello di tenuta alla staffa di supporto dell'ugello.





- 6 *Manichetta*
- 7 *Cinghia*

3. Far passare la manichetta nell'anello di tenuta.
4. Collegare la manichetta all'ugello.
5. Fissare la manichetta con una cinghia.



6. Fissare la staffa di supporto dell'ugello all'unità di supporto tramite le viti.

### Configurazione della rondella

Configurare la rondella per completare l'installazione del kit rondella.

Se la telecamera di rete Axis può essere configurata dalla visualizzazione in diretta, consultare il manuale per l'utente della telecamera. In caso contrario, fare riferimento all'assistenza Axis per ulteriori informazioni.

## Ulteriori Informazioni

- Per la versione più recente di questo documento, visitare il sito all'indirizzo [axis.com](http://axis.com)
- Per servizi di formazione utili e webinar, visita il sito [axis.com/academy](http://axis.com/academy)

## Accessori necessari

AXIS T6101 Audio and I/O Interface

## Accessori opzionali

Per un elenco completo degli accessori disponibili per questo dispositivo, andare alla pagina del dispositivo al sito [axis.com](http://axis.com) e selezionare Software e accessori.

# AXIS TQ6905-E Washer Kit

## Specifiche

Per la versione più aggiornata della scheda tecnica del dispositivo, visitare il sito Web [axis.com](http://axis.com) e trovare la sezione **Support & Documentation** (Supporto e documentazione).

## Condizioni di funzionamento

Temperatura massima	Temperatura minima Liquido antigelo in soluzione (massime prestazioni)	Temperatura minima Liquido antigelo in soluzione (prestazioni ridotte)
60°C	-10°C	-25°C

## Consumo energetico

CA	Consumo corrente	Frequenza della linea elettrica
230 VCA	0,3 A	50 - 60 Hz
120 VCA	0,6 A	50 - 60 Hz
24 VCA	1,8 A	50 - 60 Hz

## Fusibili

Il kit rondella AXIS viene fornito con un fusibile premontato per 230V in posizione FUS1. Se l'alimentatore è diverso, rimuovere il fusibile dalla posizione FUS1 e inserirlo nella posizione corretta (FUS2 o FUS3). Vedere la tabella.

### **ATTENZIONE**

- I collegamenti elettrici devono essere eseguiti con l'alimentazione scollegata e l'interruttore aperto.
- Quando si inizia l'installazione, assicurarsi che le specifiche per l'alimentazione corrispondano a quelle richieste dal dispositivo.

Tensione	Supporto fusibile
230 VCA	FUS1 (premontato)
120 VCA	FUS2
24 VCA	FUS3

Per le posizioni dei fusibili, vedere *Panoramica dell'hardware alla pagina 58*.

### **AVVISO**

- Assicurarsi che la sorgente di alimentazione e i cavi di collegamento siano adatti per il consumo energetico del sistema.
- Utilizzare un cavo di alimentazione adatto all'uso in ambienti esterni.



## Información de seguridad

### Niveles de peligro

#### **▲PELIGRO**

Indica una situación peligrosa que, si no se evita, provocará lesiones graves o la muerte.

#### **▲ADVERTENCIA**

Indica una situación peligrosa que, si no se evita, puede provocar lesiones graves o la muerte.

#### **▲ATENCIÓN**

Indica una situación peligrosa que, si no se evita, puede provocar lesiones moderadas o leves.

#### **AVISO**

Indica una situación peligrosa que, si no se evita, puede provocar daños materiales.

ES

### Otros niveles de mensaje

#### **Importante**

Indica información importante que es fundamental para que el producto funcione correctamente.

#### **Nota**

Indica información útil que ayuda a aprovechar el producto al máximo.

## Instrucciones de seguridad

### **▲ADVERTENCIA**

El producto de Axis debe instalarlo un profesional formado conforme a las leyes y normativas locales.

### **AVISO**

- Este producto de Axis debe utilizarse de acuerdo con las leyes y normativas locales.
- Almacene el producto de Axis en un entorno seco y ventilado.
- Evite la exposición del producto de Axis a choques o a una fuerte presión.
- Evite la exposición del producto de Axis a vibraciones.
- No instale el producto en postes, soportes, superficies o paredes inestables.
- No instale el producto en postes, soportes, superficies o paredes que vibren.
- Utilice solo las herramientas correspondientes cuando instale el producto de Axis. La aplicación de una fuerza excesiva con herramientas eléctricas puede provocar daños en el producto.
- Utilice solo accesorios que cumplan con las especificaciones técnicas de su producto. Estos accesorios los puede proporcionar Axis o un tercero. Axis recomienda utilizar un equipo de suministro de alimentación de Axis compatible con su producto.
- Utilice solo piezas de repuesto proporcionadas o recomendadas por Axis.
- No intente reparar el producto usted mismo. Póngase en contacto con el servicio de asistencia técnica de Axis o con su distribuidor de Axis para tratar asuntos de reparación.
- Utilice un cable de tierra de color amarillo/verde de al menos 0,5 mm<sup>2</sup> o 20 AWG.

## Transporte

### **AVISO**

- Cuando transporte el producto de Axis, utilice el embalaje original o un equivalente para evitar daños en el producto.

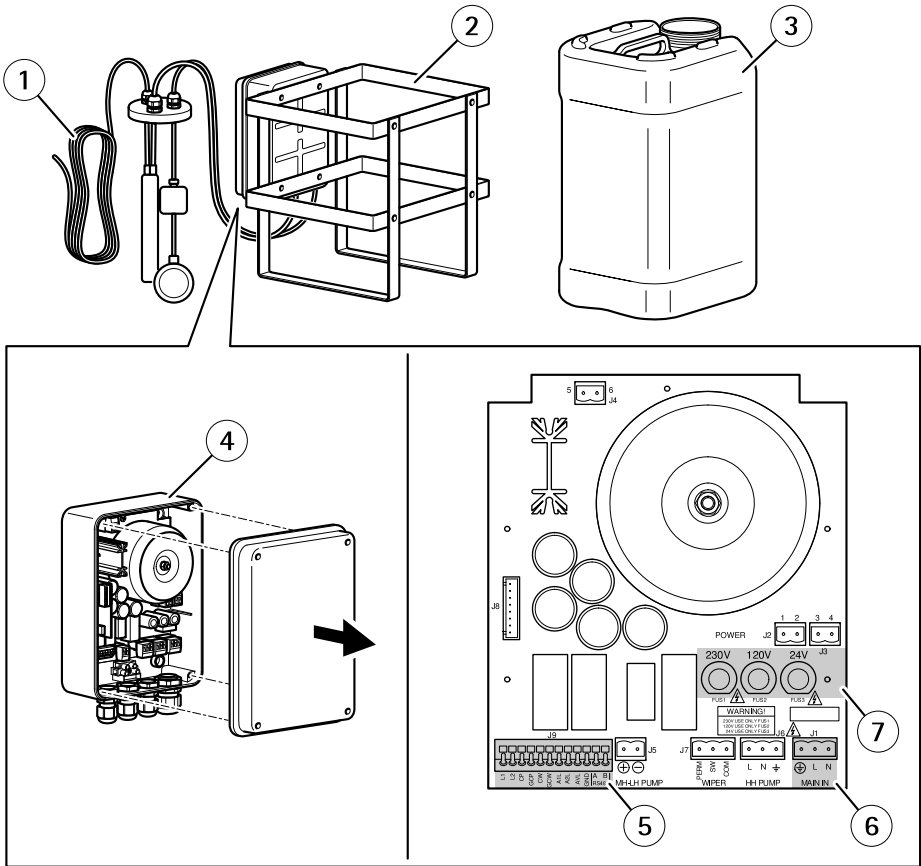


## Contenido del paquete

- Unidad del limpiador (cesta metálica, caja de conexiones, depósito con componentes)
- Bridas
- Cubierta de silicona
- Soporte de sujeción de la boquilla
- Tubo
- Boquilla
- Arandela de bloqueo
- Tornillos
- Pasatubos
- Materiales impresos
  - Guía de instalación (este documento)

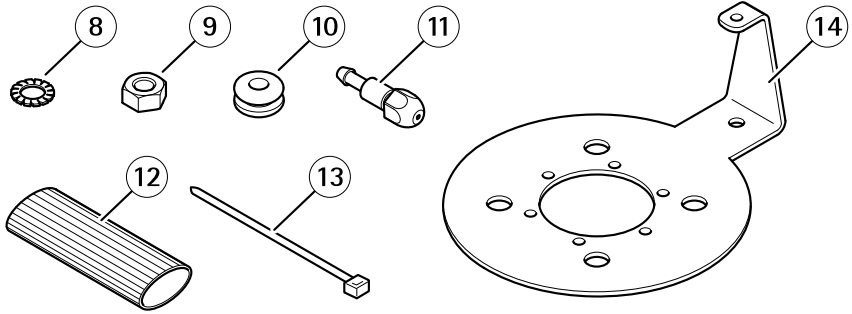
# AXIS TQ6905-E Washer Kit

## Información general del hardware



- 1 *Tubo*
- 2 *Cesta metálica*
- 3 *Depósito*
- 4 *Caja de conexiones*
- 5 *Terminal de control J9*
- 6 *Terminal de fuente de alimentación J1*
- 7 *Posiciones de los fusibles*

## AXIS TQ6905-E Washer Kit



- 8 *Arandela de bloqueo*
- 9 *Tuerca*
- 10 *Pasatubos*
- 11 *Boquilla*
- 12 *Cubierta de silicona*
- 13 *Brida*
- 14 *Soporte de sujeción de la boquilla*

ES

## Cómo instalar el producto

### Montaje de la cesta metálica

1. Extraiga el depósito de la cesta metálica.
2. Desatornille el tapón del depósito y retírelo del depósito.
3. Extraiga la bomba y el indicador de nivel del depósito.
4. Monte la cesta metálica en una pared utilizando los tornillos.

Consulte *Información general del hardware en la página 74* para localizar las piezas.

#### **⚠ ATENCIÓN**

Antes de hacer nada, asegúrese de que la fuente de alimentación esté desconectada.

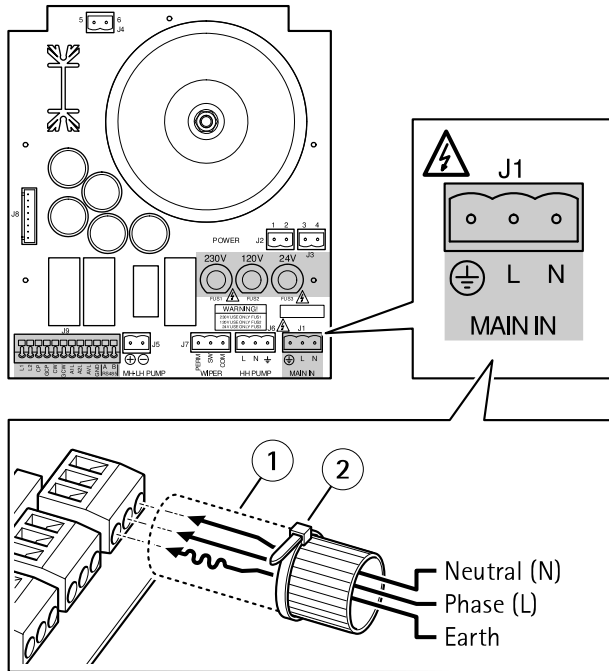
#### **AVISO**

- El producto se debe sujetar con el equipo adecuado. Los medios de sujeción deben garantizar que se pueda aguantar una fuerza igual a tres veces el peso del producto como mínimo.

### Guía de los cables

Para obtener más información sobre cómo guiar los cables, consulte la guía de instalación del producto de Axis compatible.

## Conexión de los cables

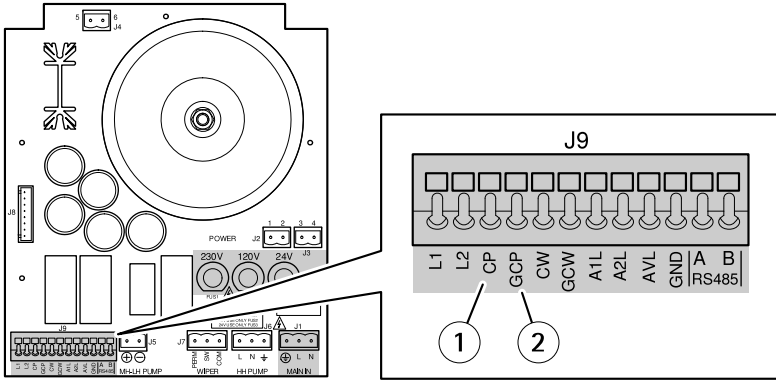


- 1 Cubierta de silicona
- 2 Brida

### AVISO

- Asegúrese de que el cable de conexión a tierra sea 10 mm más largo que los otros dos cables. Disminuirá el riesgo de que uno de los cables de conexión a tierra se desconecte accidentalmente si se tira.
- Todos los conductores de los terminales se deben separar de los otros circuitos de baja tensión. La desconexión de un cable no debe poner en peligro la protección contra descargas eléctricas.

# AXIS TQ6905-E Washer Kit



- 1 CP
- 2 GCP

1. Conecte el cable de E/S al terminal de control J9 según la tabla.

**Nota**

Todas las conexiones del terminal J9 deben tener una tensión de seguridad muy baja.

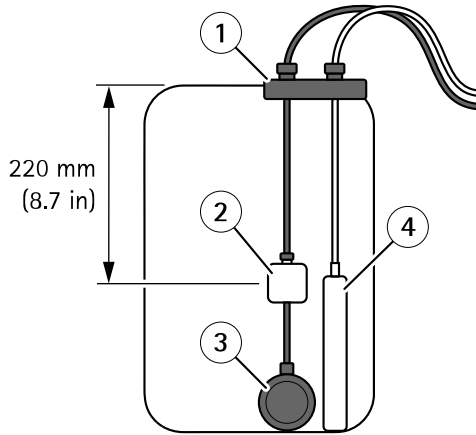
2. Asegúrese de que el cable de E/S esté conectado a los pines del conector de E/S según la tabla.

Descripción	Terminal de control J9	Pin de conector de E/S
Control de la bomba	CP	Pines 3–6 (salida digital)
GND (control de la bomba)	GCP	Pin 1 (tierra CC)

3. Conecte el conector de E/S a su producto de Axis compatible. Para obtener información, consulte la guía de instalación del producto de Axis.

**Nota**

El conector de E/S no está incluido en el kit.



- 1 *Tapón del depósito*
- 2 *Pesa*
- 3 *Flotador*
- 4 *Bomba*

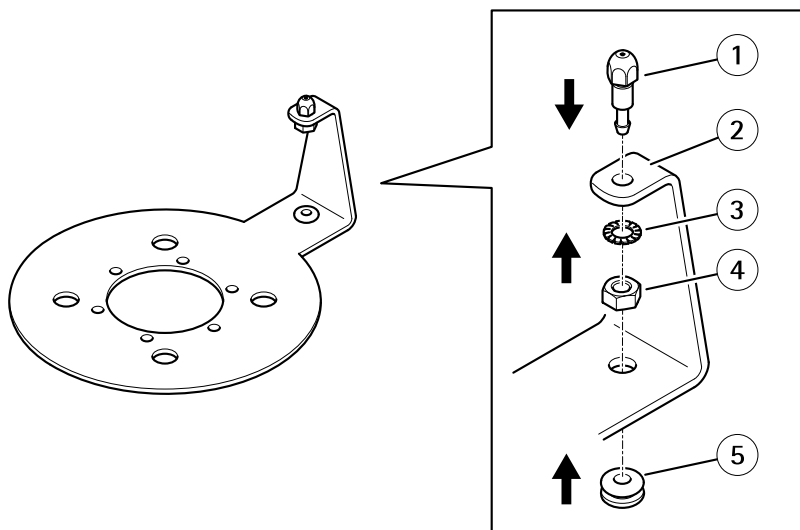
1. Llene el depósito con agua.
2. Coloque el depósito en la cesta metálica.
3. Ajuste la posición de la pesa. Colóquela a 220 mm del tapón del depósito.
4. Introduzca la bomba y el flotador dentro del depósito como se muestra en la ilustración.
5. Coloque el tapón del depósito.

## **AVISO**

No inicie la bomba si el depósito está vacío.

Es preciso que el flotador pueda moverse con libertad para no dañar la bomba.

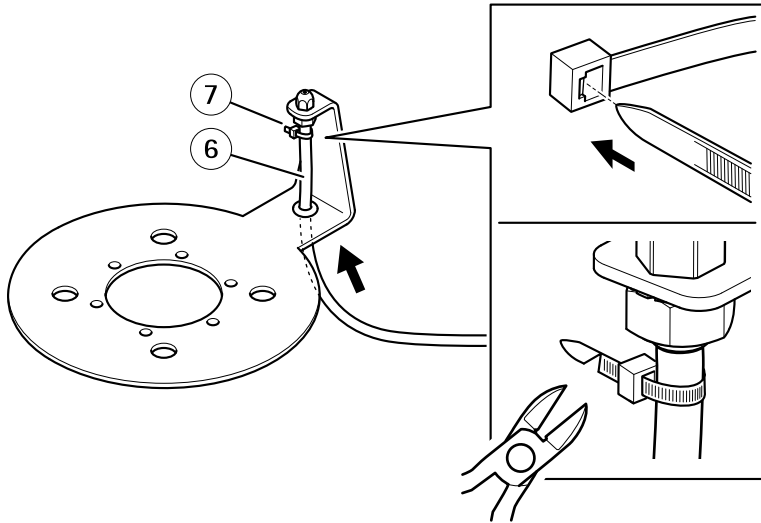
### Montaje de la boquilla, el soporte de sujeción de la boquilla y el tubo



- 1 *Boquilla*
- 2 *Soporte de sujeción de la boquilla*
- 3 *Arandela de bloqueo*
- 4 *Tuerca*
- 5 *Pasatubos*

1. Fije la boquilla al soporte de sujeción de la boquilla mediante la arandela y la tuerca.
2. Acople el pasatubos al soporte de sujeción de la boquilla.





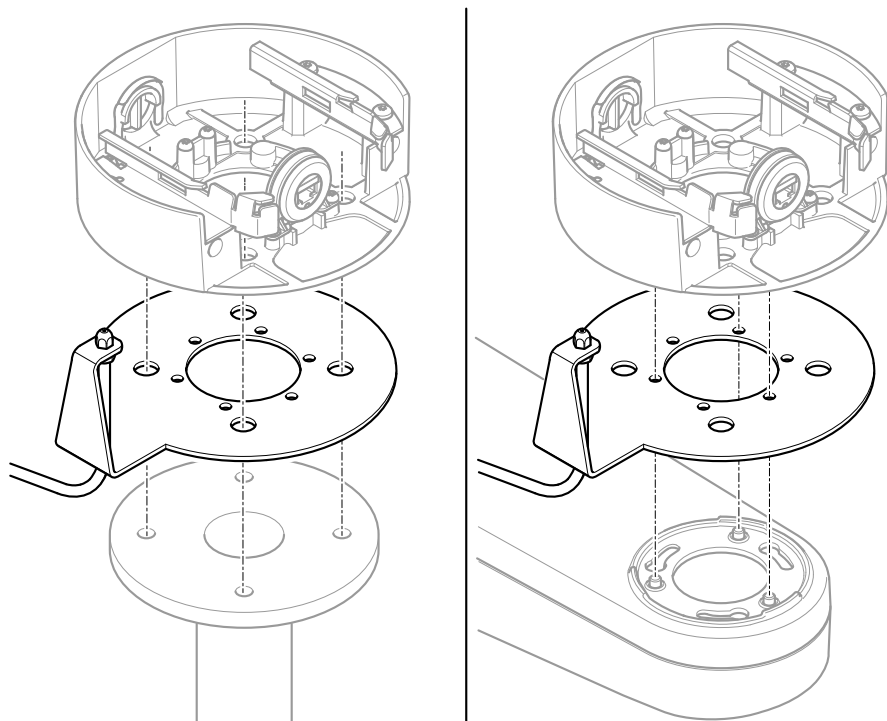
6 *Tubo*  
7 *Brida*

3. Pase el tubo a través del pasatubos.
4. Acople el tubo a la boquilla.
5. Fije el tubo con una brida.

ES

## AXIS TQ6905-E Washer Kit

---



6. Fije el soporte de sujeción de la boquilla a la unidad de soporte mediante los tornillos.

### Configuración del limpiador

Configure el limpiador para finalizar la instalación del kit de limpiador.

Si puede configurar su cámara de red de Axis desde la visualización en directo, consulte el manual de usuario de su cámara. En caso contrario, consulte al servicio de asistencia técnica de Axis para obtener más información.

## Más información

- Para consultar la versión más reciente de este documento, vaya a [axis.com](http://axis.com).
- Para consultar webinars y cursos en línea que pueden resultarle útiles, vaya a [axis.com/academy](http://axis.com/academy).

## Accesorios necesarios

AXIS T6101 Audio and I/O Interface

## Accesorios opcionales

Para conocer una lista completa de los accesorios disponibles para este producto, vaya a la página [axis.com](http://axis.com) y seleccione Software y accesorios.

# AXIS TQ6905-E Washer Kit

## Especificaciones

Para acceder a la versión más reciente de la hoja de datos del producto, visite la página del producto en [axis.com](http://axis.com) y localice **Support & Documentation** (Soporte técnico y documentación).

## Condiciones de funcionamiento

Temperatura máxima	Temperatura mínima Líquido anticongelante en solución (pleno rendimiento)	Temperatura mínima Líquido anticongelante en solución (rendimiento reducido)
60°C	-10°C	-25°C

## Consumo

CA	Consumo de corriente	Frecuencia de la línea de alimentación
230 V CA	0,3 A	50/60 Hz
120 V CA	0,6 A	50/60 Hz
24 V CA	1,8 A	50/60 Hz

## Fusibles

El kit del limpiador AXIS incluye un fusible premontado de 230 V colocado en la posición FUS1. Si la fuente de alimentación es diferente, extraiga el fusible de la posición FUS1 e insértelo en la posición correcta (FUS2 o FUS3). Vea la tabla.

### ⚠ ATENCIÓN

- Las conexiones eléctricas se deben realizar con la fuente de alimentación desconectada y el disyuntor abierto.
- Al iniciar la instalación, asegúrese de que las especificaciones de la fuente de alimentación se corresponden con las que requiere el dispositivo.

Tensión	Portafusible
230 V CA	FUS1 (premontado)
120 V CA	FUS2
24 V CA	FUS3

Consulte *Información general del hardware en la página 74* para conocer las posiciones de los fusibles.

**AVISO**

- Asegúrese de que la fuente de alimentación y los cables de conexión son los adecuados para el consumo de energía del sistema.
- Utilice un cable de alimentación adecuado para uso en exteriores.



## 安全情報

### 危険レベル

**▲危険**

回避しない場合、死亡または重傷につながる危険な状態を示します。

**▲警告**

回避しない場合、死亡または重傷につながるおそれのある危険な状態を示します。

**▲注意**

回避しない場合、軽傷または中程度の怪我につながるおそれのある危険な状態を示します。

**注記**

回避しない場合、器物の破損につながるおそれのある状態を示します。

### その他のメッセージレベル

**重要**

製品を正しく機能させるために不可欠な重要情報を示します。

**注意**

製品を最大限に活用するために役立つ有用な情報を示します。

## 安全手順

### ▲警告

本製品の設置は、お使いになる地域の法律や規制に準拠して、訓練を受けた専門技術者が行ってください。

### 注記

- 本アクシス製品は、お使いになる地域の法律や規制に準拠して使用してください。
- 本製品は乾燥した換気のよい環境に保管してください。
- 本製品に衝撃または強い圧力を加えないでください。
- 本製品に振動を加えないでください。
- 本製品を不安定なポール、ブラケット、表面、または壁に設置しないでください。
- 本製品を振動するポール、ブラケット、表面、または壁に設置しないでください。
- 本製品を設置するには、適切な工具のみを使用してください。電動工具を使用して過剰な力をかけると、製品が損傷することがあります。
- 製品の技術仕様に準拠したアクセサリのみを使用してください。これらのアクセサリは、Axisまたはサードパーティから入手できます。Axisは、ご使用の製品と互換性のあるAxis給電ネットワークスイッチの使用を推奨します。
- Axisが提供または推奨する交換部品のみを使用してください。
- 製品を自分で修理しないでください。修理については、Axisサポートまたは販売代理店にお問い合わせください。
- 最低0.5 mm<sup>2</sup>または20 AWGの黄/緑色のケーブルを使用してください。

## 輸送

### 注記

- 本製品を運搬する際は、製品が損傷しないよう、元の梱包が同等の梱包を使用してください。

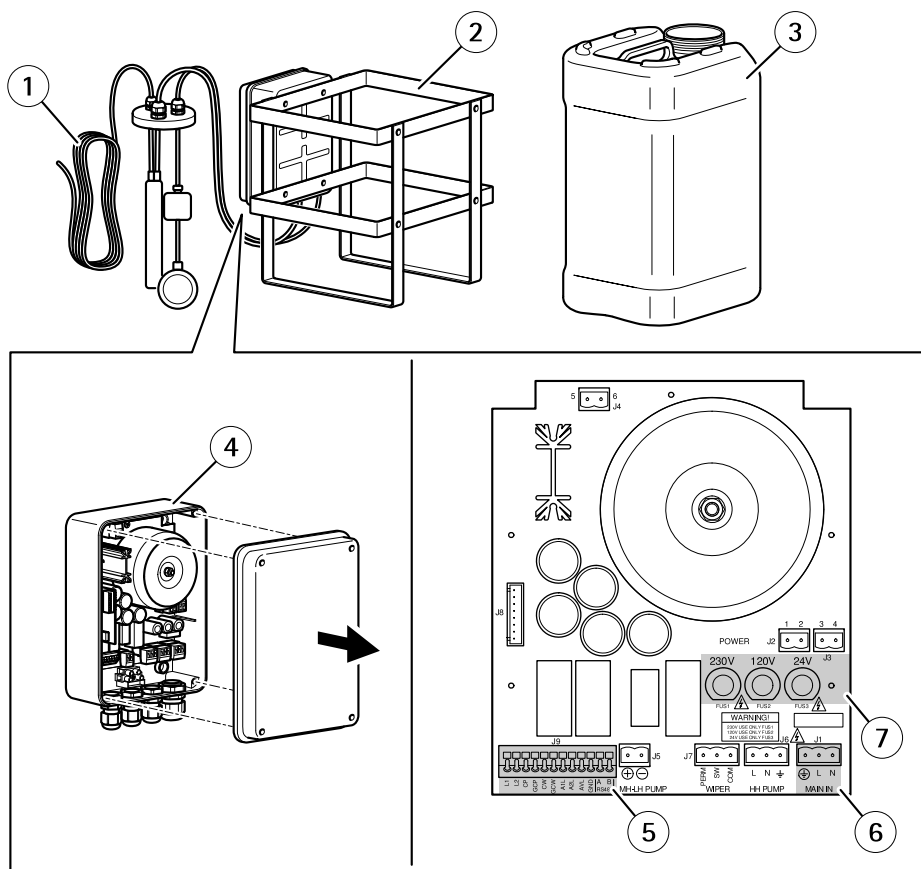


## パッケージの内容

- ワッシャーユニット (金属製ケージ、接続ボックス、部品付属のタンク)
- ストラップ
- シリコンシース
- ノズルサポートブラケット
- ホース
- ノズル
- ロックワッシャー
- ネジ
- グロメット
- 印刷物
  - インストールガイド (本書)

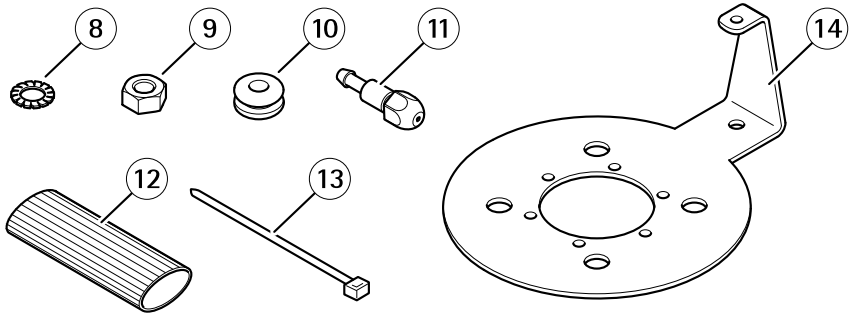
# AXIS TQ6905-E Washer Kit

## ハードウェアの概要



- 1 ホース
- 2 金属製ケージ
- 3 タンク
- 4 接続ボックス
- 5 制御ターミナルJ9
- 6 電源ターミナルJ1
- 7 ヒューズ位置

## AXIS TQ6905-E Washer Kit



- 8 ロックワッシャー
- 9 ナット
- 10 グロメット
- 11 ノズル
- 12 シリコンシース
- 13 ストラップ
- 14 ノズルサポートブラケット

JA

### 製品の取り付け方法

#### 金属製ケージの取り付け

1. 金属製ケージからタンクを取り外します。
2. タンクプラグを緩め、タンクから取り外します。
3. ポンプとレベルゲージをタンクから外します。
4. ネジを使用して、金属製ケージを壁面に取り付けます。

部品の位置については、90ページの、ハードウェアの概要を参照してください。

#### **▲注意**

操作を開始する前に、電源が切断されていることを確認します。

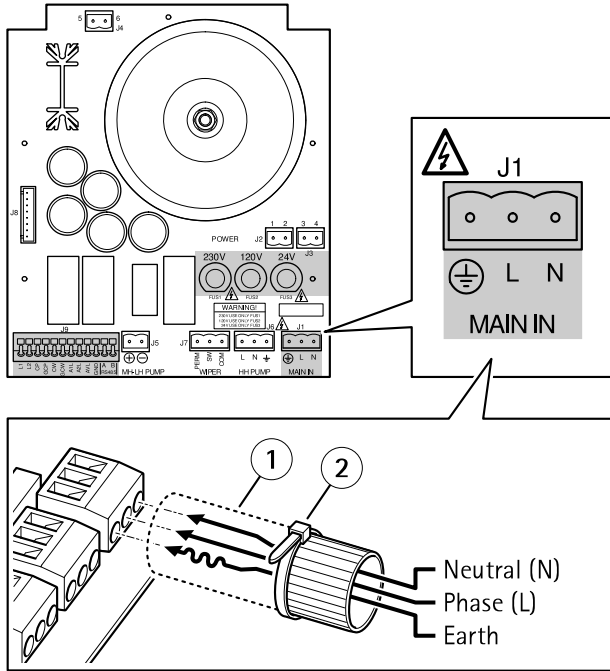
#### **注記**

- 本製品は適切な装置で固定する必要があります。製品重量の最低3倍に相当する力が加わる場合でも、その固定方法で保持が保証される必要があります。

#### ケーブルの配線

ケーブルの配線の詳細については、互換性のあるAxis製品の『インストールガイド』を参照してください。

## ケーブルの接続

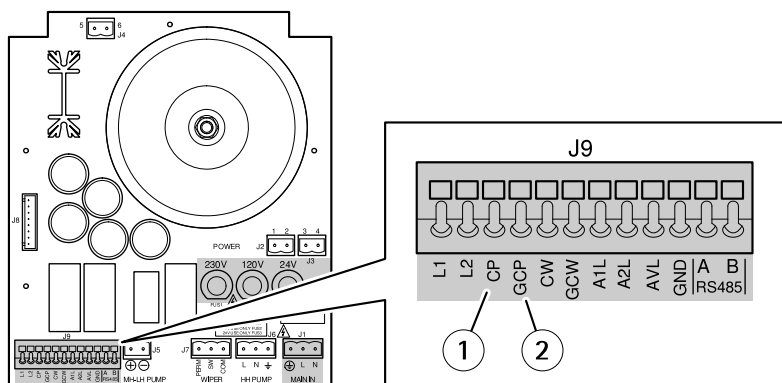


- 1 シリコンシース
- 2 ストラップ

### 注記

- アース線は他の2本のケーブルより10 mm長いことを確認してください。引っ張られたときに不意にアース線を切断するリスクが少なくなります。
- ターミナルの導体はすべて、他の低電圧回路から分離する必要があります。ワイヤーが切断されても、感電からの保護が失われないようにする必要があります。

# AXIS TQ6905-E Washer Kit



- 1 CP
- 2 GCP

1. 表に従ってI/Oケーブルを制御ターミナルJ9に接続します。

## 注意

ターミナルJ9のすべての接続は、安全な超低電圧になっている必要があります。

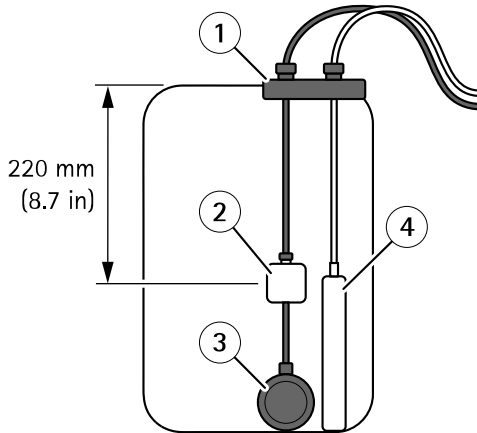
2. I/OケーブルがI/Oコネクターのピンに接続していることを表に従って確認します。

説明	J9制御ターミナル	I/Oコネクタースピン
ポンプコントロール	CP	ピン3-6 (デジタル出力)
GND (ポンプコントロール)	GCP	ピン1 (DCグラウンド)

3. I/Oコネクタを互換性のあるAxis製品に接続します。詳細については、当該Axis製品のインストールガイドを参照してください。

## 注意

I/Oコネクタはキットに付属していません。



- 1 タンクプラグ
- 2 ウェイト
- 3 フロート
- 4 ポンプ

1. タンクに水を入れます。
2. タンクを金属製ケージに入れます。
3. ウェイトの位置を調整します。タンクプラグから220 mm離れた位置に取り付けます。
4. ポンプおよびフロートをタンク内部に入れます。以下の図を参照してください。
5. タンクプラグを取り付けます。

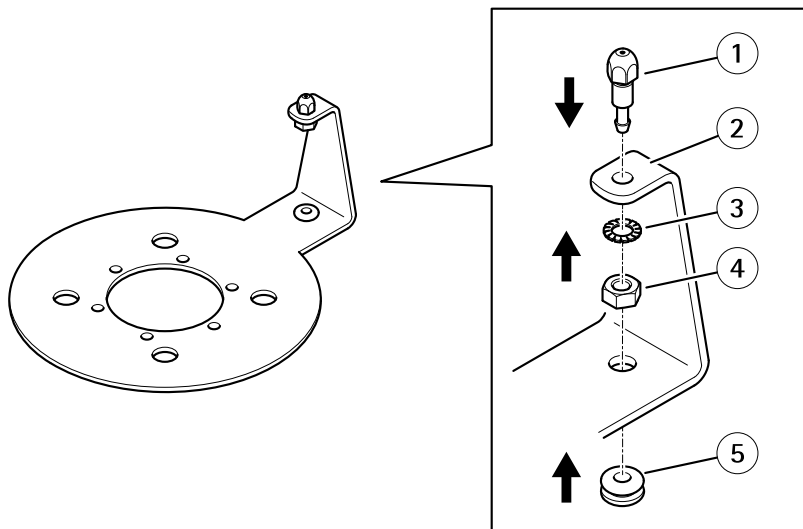
JA

**注記**

タンクが空の場合は、ポンプを起動しないでください。

ポンプを傷つけないようにタンク内でフロートが自由に動くことができるようにしてください。

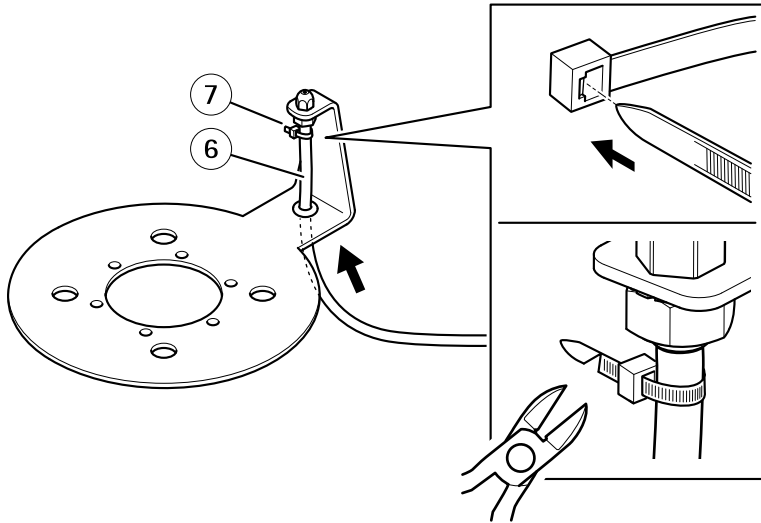
## ノズル、ノズルサポートブラケット、およびホースの 取り付け



- 1 ノズル
- 2 ノズルサポートブラケット
- 3 ロックワッシャー
- 4 ナット
- 5 グロメット

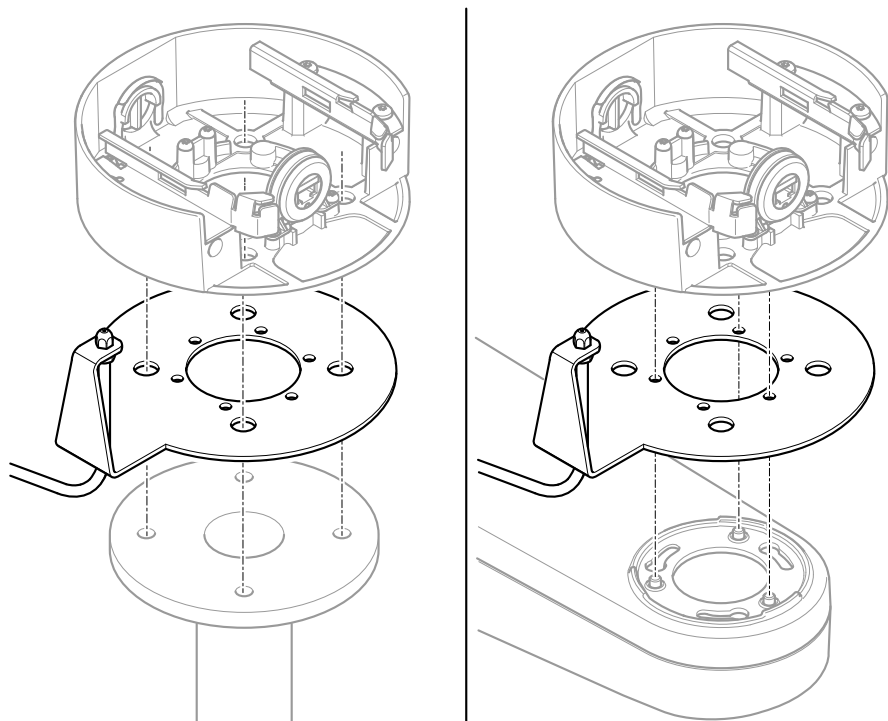
1. ワッシャーとネットを使用して、ノズルをノズルサポートブラケットに取り付けます。
2. グロメットをノズルサポートブラケットに取り付けます。





- 6 ホース  
7 ストラップ

3. グロメットにホースを通します。
4. ホースをノズルに取り付けます。
5. ホースをストラップで固定します。



6. ネジを使用して、ノズルサポートブラケットをサポートユニットに取り付けます。

### ワッシャーの設定

ワッシャーを設定してワッシャーキットのインストールを完了します。

ライブビューでAxisネットワークカメラを設定できる場合は、カメラのユーザーズマニュアルを参照してください。それ以外の場合は、Axisサポートに詳細をお問い合わせください。

## 関連情報

- 本書の最新バージョンについては、[axis.com](http://axis.com)にアクセスしてください。
- 役に立つオンライントレーニングおよびWebセミナーをご用意しております。[axis.com/academy](http://axis.com/academy)をご覧ください。

## 必須アクセサリ

AXIS T6101 Audio and I/O Interface

## オプションアクセサリ

本製品で利用可能なすべてのアクセサリについては、[axis.com](http://axis.com)で本製品のページを開いて「ソフトウェア&アクセサリ」を参照してください。

# AXIS TQ6905-E Washer Kit

## 仕様

最新バージョンの製品のデータシートについては、[axis.com](http://axis.com)で本製品のページを開いて「Support & Documentation (サポートとドキュメント)」へお進みください。

## 動作条件

最大温度	最低温度 不凍液を使用 (フルパフォーマンス)	最低温度 不凍液を使用 (パフォーマンスが低減)
60°C	-10°C	-25°C

## 消費電力

AC	消費電流	電源周波数
230 V AC	0.3 A	50/60 Hz
120 V AC	0.6 A	50/60 Hz
24 V AC	1.8 A	50/60 Hz

## ヒューズ

AXISワッシャーキットには、FUS1の位置に230Vの取り付け済みヒューズが付属しています。電源が異なる場合は、ヒューズをFUS1の位置から取り外し、正しい位置 (FUS2またはFUS3) に挿入します。表を参照してください。

### ▲注意

- 電気接続は、電源を切断してサーキットブレーカーが開いた状態で行ってください。
- 設置を開始するときは、電源の仕様が、デバイスで要求されている仕様に対応するようにしてください。

電圧	ヒューズホルダー
230 V AC	FUS1 (事前に取り付け済み)
120 V AC	FUS2
24 V AC	FUS3

ヒューズ位置については、90ページの、ハードウェアの概要を参照してください。

**注記**

- 電源および接続ケーブルが、システムの消費電力に適していることを確認してください。
- 屋外対応に適した電源ケーブルを使用してください。



## 安全信息

### 危险等级

**▲危险**

表示如果不避免则会导致死亡或严重伤害的危险情况。

**▲警告**

表示如果不避免则可能导致死亡或严重伤害的危险情况。

**▲小心**

表示如果不避免则可能导致轻微或中度伤害的危险情况。

**注意**

表示如果不避免则可能导致财产损失的情况。

### 其他消息等级

**重要**

表示产品正常工作所必需的重要信息。

**备注**

表示有助于充分利用产品的有用信息。

## 安全说明

### 警告

安讯士产品应由受过培训的专业人员进行安装，并遵守当地法律和法规。

### 注意

- 使用 Axis 产品时应遵守当地法律和法规。
- 在干燥通风的环境中存放安讯士产品。
- 避免将安讯士产品暴露在冲击或高压环境下。
- 避免将安讯士产品暴露在振动环境下。
- 请勿将产品安装在不稳固的立杆、支架、表面或墙壁上。
- 请勿将本产品安装在振动的立杆、支架、表面或墙壁上。
- 安装安讯士产品时，仅使用适用的工具。使用电动工具过度施力可能导致产品损坏。
- 仅使用符合产品技术规格的附件。这些附件可由安讯士或第三方提供。安讯士推荐使用与产品兼容的安讯士电源设备。
- 仅使用安讯士提供或推荐的备件。
- 请勿尝试自行维修产品。有关服务事项，请联系安讯士支持部门或安讯士经销商。
- 使用一根至少为 0.5 平方毫米或 20 AWG 的黄色/绿色接地电缆。

## 运输

### 注意

- 安讯士产品运输途中，应使用其原包装或等效包装，以防对产品造成损坏。

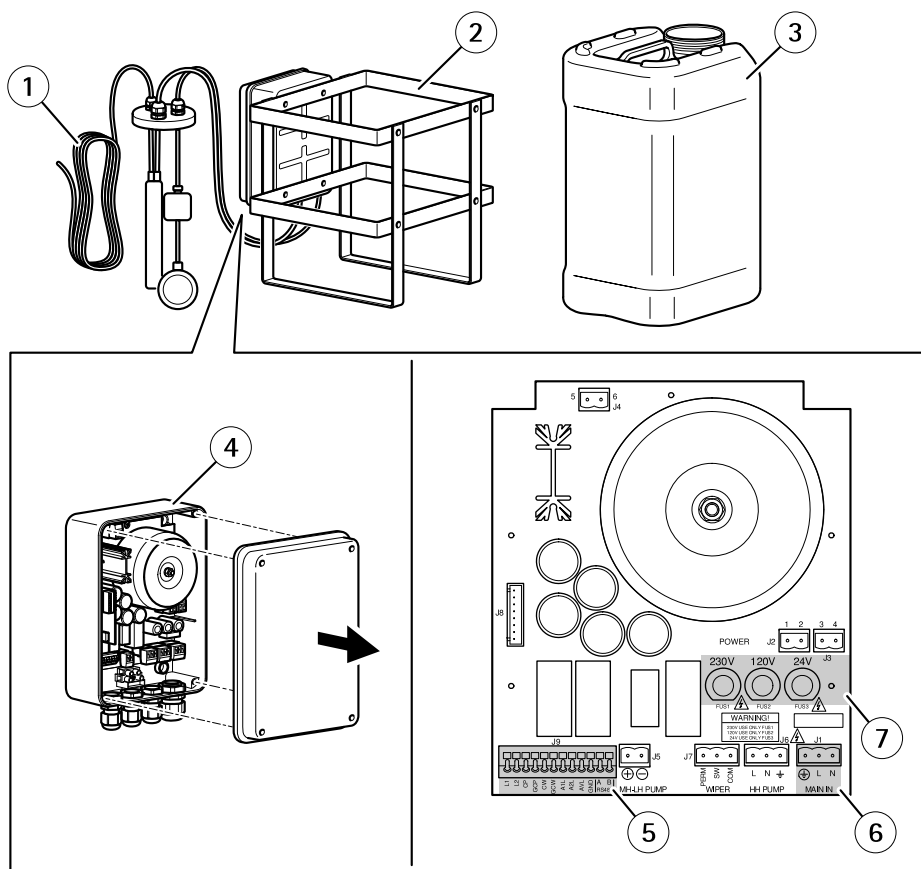


## 包装内容

- 清洗器装置（金属笼、接线盒、带组件的储罐）
- 绑带
- 硅胶护套
- 喷嘴支架
- 软管
- 喷嘴
- 锁紧垫圈
- 螺钉
- 索眼
- 印刷资料
  - 安装指南（本文档）

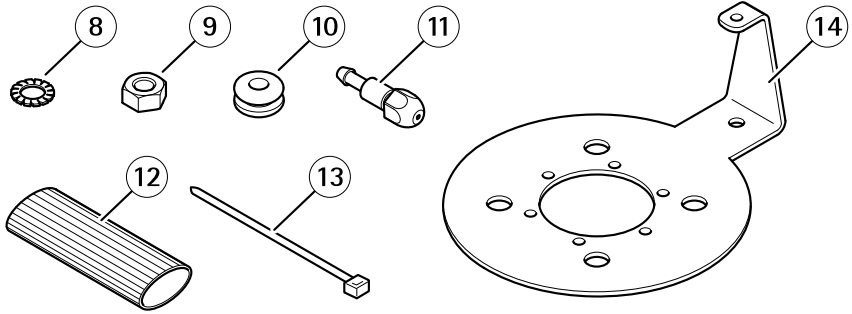
# AXIS TQ6905-E Washer Kit

## 硬件概览



- 1 软管
- 2 金属笼
- 3 储罐
- 4 接线盒
- 5 控制终端 J9
- 6 电源终端 J1
- 7 保险丝位置

## AXIS TQ6905-E Washer Kit



- 8 锁紧垫圈
- 9 螺母
- 10 索眼
- 11 喷嘴
- 12 硅胶护套
- 13 绑带
- 14 喷嘴支架

## 如何安装产品

### 安装金属笼

1. 从金属笼中取出储罐。
2. 拧下罐塞的螺丝，然后从储罐中卸下罐塞。
3. 从储罐中卸下泵和液位计。
4. 使用螺钉将金属笼安装到墙壁上。

请参见 *硬件概览* 在第106页以定位部件。

#### **小心**

在开始操作之前，请确保电源已断开。

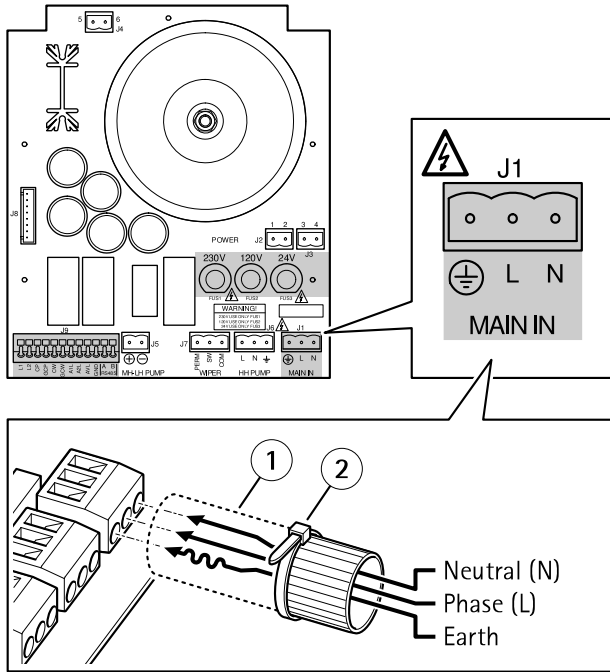
#### **注意**

- 必须用合适的设备固定本产品。固定装置必须保证夹持力至少等于产品重量的3倍。

### 布线

有关布线方法的信息，请参阅与之兼容的安讯士产品的安装指南。

## 连接电缆

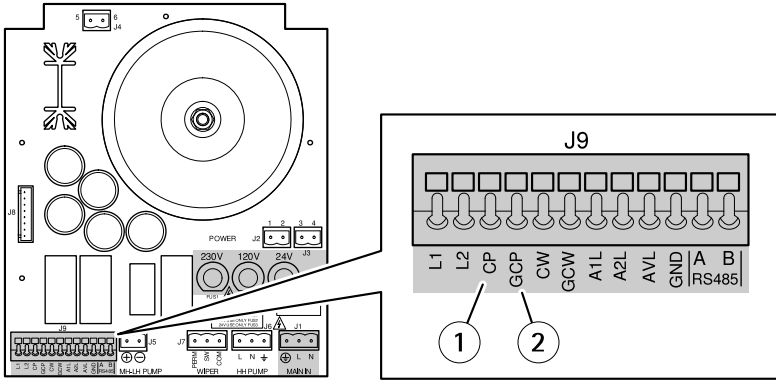


- 1 硅胶护套
- 2 绑带

### 注意

- 确保接地电缆比其他两根电缆长 10 毫米（4 英寸）。这样，在拉动接地电缆的情况下，接地电缆意外断开的风险将会降低。
- 终端的导线必须与其他低电压电路分离。电线断开不得影响防触电保护。

# AXIS TQ6905-E Washer Kit



- 1 CP
- 2 GCP

1. 根据表格将 I/O 电缆连接到 J9 控制终端。

**备注**

终端 J9 的连接都必须具有低安全电压。

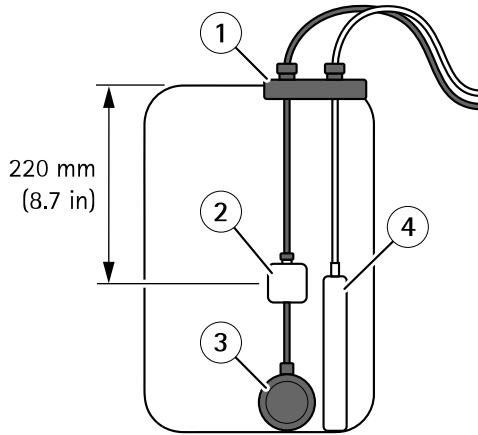
2. 确保根据表格将 I/O 电缆连接到 I/O 连接器针。

说明	J9 控制终端	I/O 连接器针
泵控制	CP	针 3-6 (数字输出)
GND (泵控制)	GCP	针 1 (DC 接地)

3. 将 I/O 连接器连接到兼容的安讯士产品。有关信息，请参见该安讯士产品的安装指南。

**备注**

工具套件中不包括 I/O 连接器。



- 1 罐塞
- 2 重物
- 3 浮漂
- 4 泵

1. 给储罐加水。
2. 将储罐放在金属笼中。
3. 调整重物的位置。将其定位在离罐塞 220 mm 处。
4. 根据图示将泵和浮漂放入储罐内。
5. 连接罐塞。

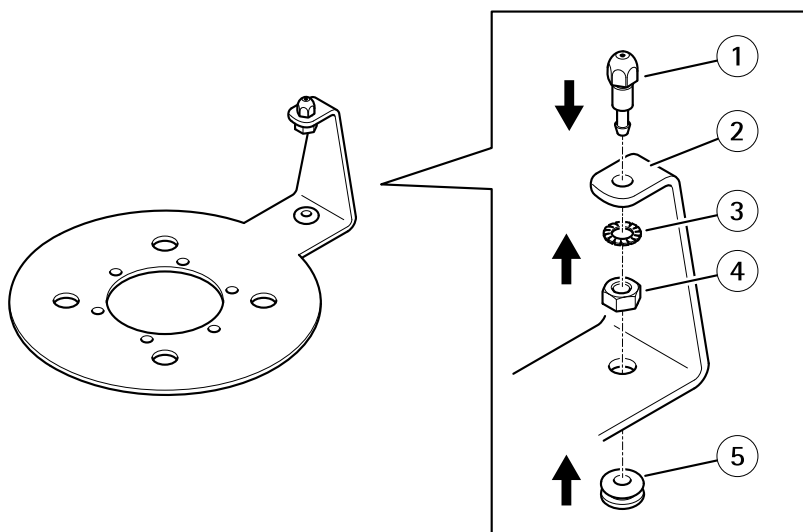
ZH

## 注意

当储罐为空时，不要启动泵。

为了不损坏泵，浮漂必须能够自由移动。

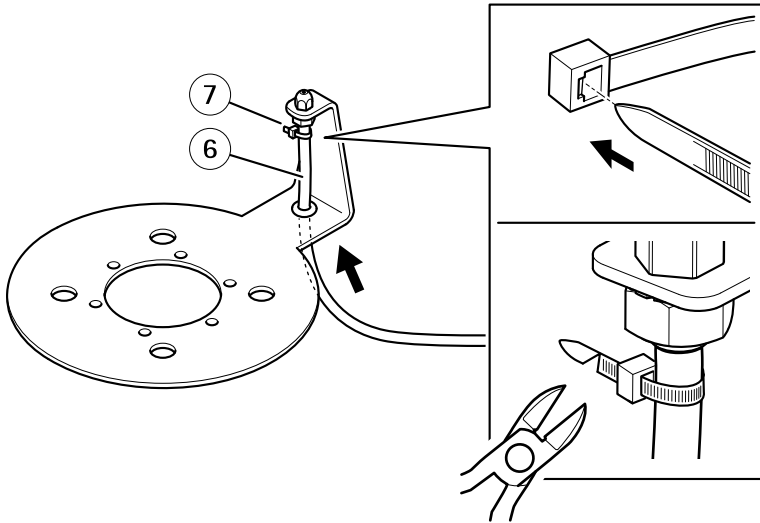
## 安装喷嘴、喷嘴支架和软管



- 1 喷嘴
- 2 喷嘴支架
- 3 锁紧垫圈
- 4 螺母
- 5 索眼

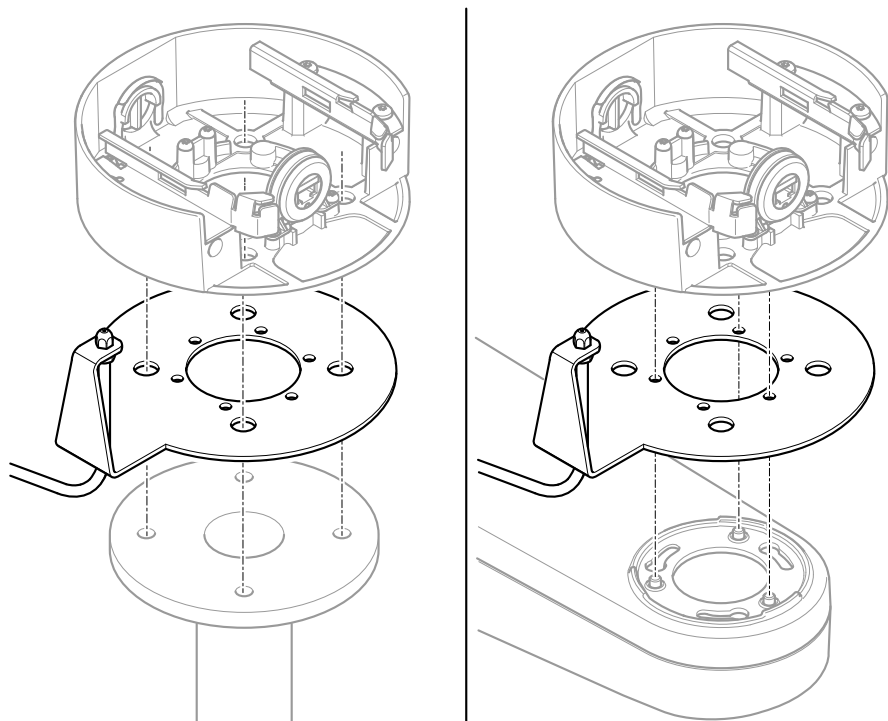
1. 用垫圈和螺母将喷嘴连接到喷嘴支架上。
2. 将索眼连接到喷嘴支架上。





6 软管  
7 绑带

3. 将软管穿过索眼。
4. 将软管连接到喷嘴上。
5. 用绑带固定软管。



6. 用螺钉将喷嘴支架连接到支架装置上。

## 配置清洗器

配置清洗器以完成清洗器套件的安装。

如果可以通过“实时取景”来配置您的安讯士网络摄像机，请参阅摄像机的用户手册。否则，请咨询安讯士支持部门以了解更多信息。

## 更多信息

- 若要获取本文档的新版本，请参见 [axis.com](http://axis.com)
- 如需有用的在线培训和在线研讨会，请参见 [axis.com/academy](http://axis.com/academy)

## 所需附件

AXIS T6101 Audio and I/O Interface

## 可选附件

欲查看本产品可用附件的完整列表，请转到 [axis.com](http://axis.com) 上的产品页并选择“软件和附件”。

# AXIS TQ6905-E Washer Kit

## 规格

要查找最新版本的产品数据表，请转到 [axis.com](http://axis.com) 上的产品页并查找**支持和文档**。

## 工作条件

最高温度	最低温度 溶解状态的防冻液（完整性能）	最低温度 溶解状态的防冻液（降低的性能）
60°C (140°F)	-10°C (14°F)	-25°C (-13°F)

## 功耗

AC	电流消耗	本地电源频率
230 VAC	0.3 A	50/60 Hz
120 VAC	0.6 A	50/60 Hz
24 VAC	1.8 A	50/60 Hz

## 保险丝

AXIS 清洗器套件在 FUS1 位置预装了一根适用于 230V 电压的保险丝。如果电源不同，请从 FUS1 位置卸下此保险丝，并将其插入正确的位置（FUS2 或 FUS3）。请参见表格。

### ⚠小心

- 必须在断开电源并且断路器断开的情况下进行电气连接。
- 开始安装时，请确保电源的规格与设备要求的规格一致。

电压	保险丝座
230 VAC	FUS1（已预装）
120 VAC	FUS2
24 VAC	FUS3

请参见 [硬件概览](#) 在第106页，了解保险丝位置。

### 注意

- 确保电源和连接电缆适合系统的功耗。
- 请使用适合户外使用的电源线。

