

SPM-4210

Network I/O Box



Key Features

- Alarm/Audio I/O Box for PTZ PLUS cameras
- 1 RJ45 port
- 4 Selectable I/O ports
- 2 Audio I/O port (1 each)
- Power : PoE only / Consumption: Max 4.5W
- Dimensions :143mm x 73mm x 27.3mm (5.63" x 2.87" x 1.07")
- Weight : 171g (0.38lb)
- Color : White

Compatible Accessories (Optional)



XNP-8300RW



XNP-6400RW



XNP-9250



XNP-9250R



XNP-8250R



XNP-8250



XNP-6400R



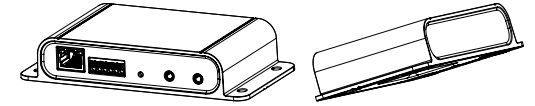
XNP-6400



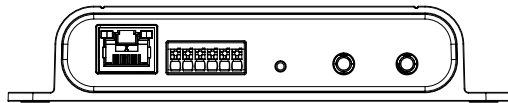
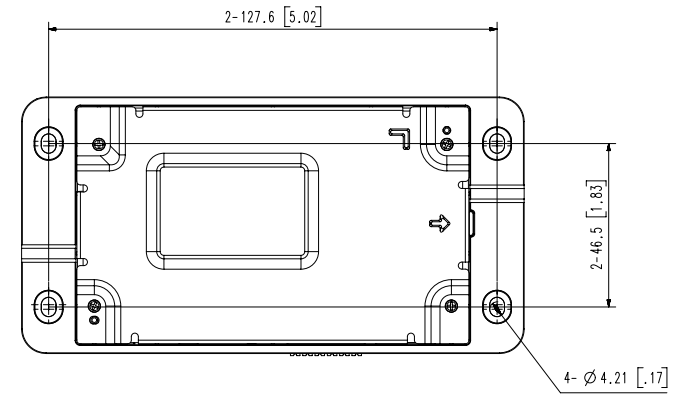
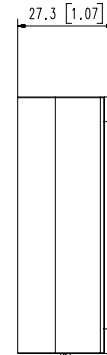
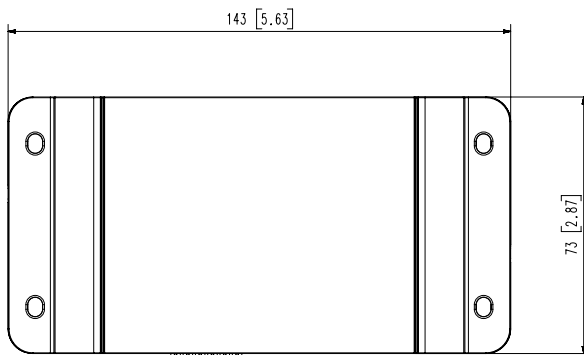
XNP-9300RW

Operational	
Alarm I/O	Configurable 4 Ports 12 V DC output, max load 50 mA
Audio In	Selectable(mic in/line in)
Audio Out	Line out, Max.output level: 1Vrms
Network	
Ethernet	RJ-45(10/100BASE-T)
Audio Compression	G.711 u-law /G.726 Selectable G.726(ADPCM) 8KHz, G.711 8KHz G.726: 16Kbps, 24Kbps, 32Kbps, 40Kbps AAC-LC: 48Kbps at 16KHz
Protocol	IPv4, IPv6, TCP/IP, UDP/IP, RTP(UDP), RTP(TCP), RTCP,RTSP, NTP, HTTP, HTTPS, SSL/TLS, DHCP, ICMP, ARP, DNS, LLDP
Security	HTTPS(SSL) Login Authentication Digest Login Authentication IP Address Filtering User access log 802.1X Authentication(EAP-TLS, EAP-LEAP) Device Certificate(Hanwha Techwin Root CA)
Application Programming Interface	SUNAPI(HTTP API)
General	
Webpage Language	English, Korean, Chinese, French, Italian, Spanish, German, Japanese, Russian, Swedish, Portuguese, Czech, Polish, Turkish, Dutch, Hungarian, Greek
Web Viewer	Support
Memory	4GB RAM, Flash 256MB
Environmental & Electrical	
Operating Temperature / Humidity	-40°C~+60°C(-40°F ~ +140°F) / Less than 95% RH(Non-condensing) Start up should be done at above -30°C
Storage Temperature / Humidity	-50°C~+60°C (-58°F~+140°F) / Less than 95% RH(Non-condensing)
Input Voltage	PoE(IEEE802.3af, Class3)
Power Consumption	Max. 4.5W
Mechanical	
Color / Material	White
RAL Code	RAL9003
Product dimensions / weight	143mm x 73mm x 27.3mm / 171g

- The latest product information / specification can be found at hanwha-security.com
- Design and specifications are subject to change without notice.
- Wisenet is the proprietary brand of Hanwha Techwin, formerly known as Samsung Techwin.



SCALE 2:1



A2

1	SPM-4210	'20.11.13
No.	MODEL NAME	DATE
UNIT : mm	SCALE : 1/1	© Hanwha Techwin