



PRN-6405B4

64CH AI NVR

Benefits

- Instant viewer shows thumbnails during search for faster results
- Search AI camera video for attributes – Hat, glasses, gender, clothing colour, bag, age group, type of vehicle and vehicle colour
- Dynamic event allows the use of new Wisenet event triggers without firmware updates
- AI search for People, Vehicles, Faces and Number plates (non-LPR)
- Bookmarks save data past retention periods, allowing time for review and export
- Easily set up event rules with intuitive Trigger and Action configuration
- Supports resolutions from CIF (0.1MP) to 8K (32MP) cameras
- Supports up to 16 10TB Hard Disk Drives with support for RAID 5 or RAID 6
- RAID 5 allows for data protection with the loss of one HDD
- RAID 6 allows for data protection with the loss of two HDDs
- Easy Install Wizard get the unit set up in minutes
- ONVIF Profile S conformant for use with other manufacturer's cameras

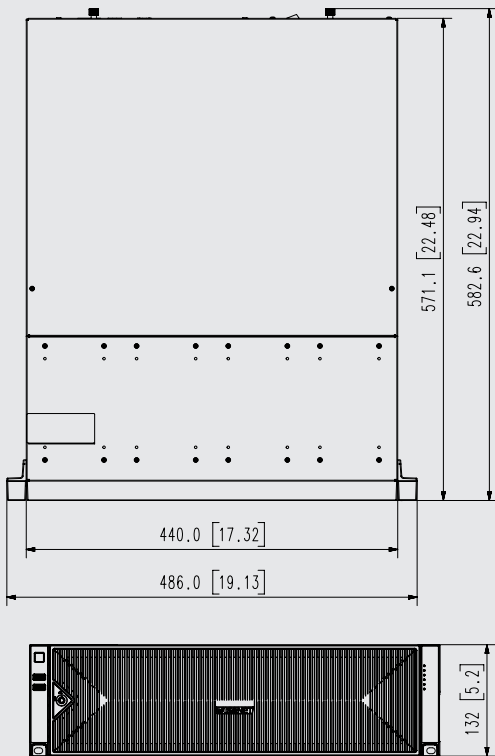
PRN-6405B4		
DISPLAY		
Network camera	Inputs	Max. 64CH
	Resolution	32MP ~ CIF
	Protocols	Wisenet, ONVIF
Decoding	Local Display	[Dual Display] HDMI 1: 3840 x 2160 (30Hz) HDMI 2: 1920x1080 (60Hz)
	Multi Screen Display	[Local Monitor] 1/ 2H/ 2V/ 3V/ 4/ 6/ 8/ 9/ 13/ 16/ 25/ 36/ 64/ Sequence [Web] 1/ 2H/ 2V/ 3V/ 4/ 6/ 8/ 9
	Resolution	32M(15fps, H.265 Only), 12M(30fps, H.264 Only), 8.3M(120fps), 1080p(480fps), 720P(960fps), D1(1920fps)
INTELLIGENT ANALYSIS		
AI Search	Object Attribute	Person, Face(with Wisenet AI camera), Vehicle, Liscence plate
PERFORMANCE		
Operating System	Embedded	Linux
Record	Compression	H.265, H.264, MJPEG, WiseStream(H.265, H.264)
	Recording Bandwidth	Max. 400Mbps
	Resolution	32MP ~ CIF
	Mode	Normal, Dual Stream, Schedule(Continuous/Event), Event (Pre/Post), Bookmark
	Event Trigger	Alarm Input, Video Loss, Camera Event(Sensor, MD, Video Analytics, Defocus, Audio), Dynamic Event
	Event Action	e-Mail, Event Push, PTZ Preset, Alarm Out, Buzzer, Monitor Out
Search & Play	Playback Bandwidth	Max. 64Mbps(64CH simultaneously)
	User	Max. 4 Users (Local 1, Remote 3)
	Simultaneous playback	Max. 112CH(Local 64CH, Remote 16CH per user)
	Fisheye Dewarping	CMS
	Mode	Date & Time(Calendar), Event list, Text Search, Smart Search
	Resolution	CIF ~ 32MP (Up to H.264 9MP, H.265 32MP)
	Playback Control	Fast/Slow Forward / Backward, Move one step Up / Down
Storage	Supported HDD	Up to 10TB
	HDD Slot	SATA 16ea(Max. 160TB, Non-RAID mode), Hot swap
	External	iSCSI storage
	RAID	RAID-5/6(Array Size : 8 HDD x 2 Array)
Backup	File backup	BU/Exe(GUI), JPG/AVI(Network)
	Function	Multi channel(Up to 16CH) Play, Date-Time/Title display
NETWORK		
Protocol		IPv4, IPv6, TCP/IP, UDP/IP, RTP (UDP), RTP (TCP), RTSP, NTP, HTTP, DHCP (Server, Client), PPPoE, SMTP, ICMP, IGMP, ARP, DNS, DDNS, uPnP, HTTPS, SNMP, ONVIF (Profile-S), SUNAPI(Server, Client)
DDNS		Hanwha DDNS
Transmission Bandwidth		Max. 400Mbps
Audio	Input/Output	64 CH(network)
	Compression	G.711, G.726, AAC(16/48KHz)
	Audio Communication	2-Way
Max Remote Users		Search(3), Live Unicast(10), Multicast(20)

Key Features

- Up to 8K (32MP) Resolution
- AI search (BestShot, Attribute)
- Object detection and classification (Person, Face, Vehicle)
- SATA 16ea (Up to 160TB)
- Easy Channel/Event/Alarm configuration
- Video preview support
- Dynamic Event support
- Bookmark management (Up to 100 set)
- Simple connection with mobile phone through QR code and QR

Dimensions

Unit:mm(inch)



* The latest product information / specification can be found at hanwha-security.eu

* Wisenet is the proprietary brand of Hanwha Techwin.

PRN-6405B4

Security		IP address filtering, User access Log, 802.1x, Encryption, Device certificate(Hanwha Techwin Root CA), Signed firmware
Web viewer	Supported OS	Windows 10, macOS 10.13
	Supported browser	Google Chrome, Microsoft Edge, Mac Safari
Viewer Software		SSM, Webviewer, Smart Viewer, Wisenet mobile Support SDK/CGI(SUNAPI) for integration to 3'rd party VMS
FUNCTIONS		
Camera Setup	Register	Auto, Manual
	Item	IP address, Add profile edit, Bitrate, Compression, GOP, Quality, Camera MD setup (4, 8 point polygon) Camera video setup (Simple focus, Brightness/ Contrast, Flip/Mirror, IRIS, WDR, D&N, SSSNR, Shutter, SSSDR, DIS), Fisheye Dewarping Mode, Hallway View Setup, Camera Webpage
PTZ	Control	Via GUI, Webviewer, SPC-2000
	Preset	300 Presets
Smart phone	Support Model	iOS, Android
	Protocol Support	RTP, RTSP, HTTP, CGI(SUNAPI)
	Control	Live 16CH(Multi-Profile Support), Playback 4CH
	Max. Remote Users	Search(3), Live Unicast(10)
Redundancy	Failover	N+1
	ARB	Support
Easy configuration		P2P(QR code)
INTERFACE		
Front	Indicator	HDD, Alarm, Power, Record, Backup, Network
Storage		Yes
Reset		Power button
HDD Key Lock		Yes
HDMI		2EA
Audio		Out 1EA
Ethernet		RJ-45 3EA (LAN/WAN, 1Gbps)
Alarm		In 8EA, Out 4EA
USB		4EA(Front 2 x USB 2.0, Rear 2 x USB 3.0)
Power inlet		AC 1EA
SYSTEM		
Log	Log List	Max. 100,000 (System Log, Event Log each)
System Control		Mouse, Web, Controller (SPC-2000)
Language		English, French, German, Italian, Spanish, Russian, Turkish, Polish, Dutch, Swedish, Czech, Portuguese, Danish, Rumanian, Serbian, Croatian, Hungarian, Greek, Norwegian, Finnish, Korean, Chinese, Japanese, Thai, Vietnam
ENVIRONMENTAL		
Operating Temperature		0°C to +40°C(32°F to 104°F)
Operating Humidity		20% ~ 85% RH
ELECTRICAL		
Power Input		100 ~ 240 VAC ±10%; 50/60 Hz
Power Consumption		Max. 285W (972.5 BTU with HDD 16ea)
MECHANICAL		
Colour / Material		Black / Metal
Dimension (WxHxD)		440.0 x 132.0 x 571.1mm
Weight		Approx. 13.6Kg(30 lb, HDD not included)