



VH839
VH1639
VH3239

8, 16 & 32 Port UTP Video Hub; up to 350 m with passive transceivers
up to 1000 m with active receivers

Description

8, 16 or 32 Port Video Balun Hubs with built-in surge suppression. Systems operate with other NITEK UTP video equipment including, Video Balun Hubs, standard Video Balun Transceivers or Active Receivers.

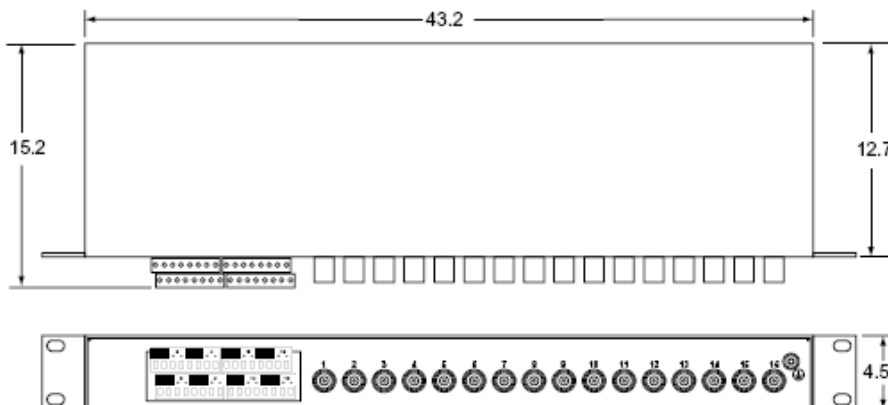
The VH839, VH1639 & VB3239 Video Balun Hubs are multi-channel video transmission devices that provide a low cost means of sending quality live video over Category UTP cabling. The systems can also adapt to existing communication and computer network spare pairs, or new cable installations. The VH839, VH1639 and VH3239 can send video up to 350 m when used with other products in the VB37 or VB39 family (300 m when used with DVR equipment). When used with model TR515 or TR560 active receivers, distances of 500 m and 1000 m, respectively, can be attained. The VH839, VH1639 and VH3239 are designed to provide superior immunity from noise and interference, such as RFI and EMI.

Features

- Quality video over ordinary twisted pair cable
- Built-in protection from power surges and transients
- High immunity to noise and interference
- Passive units require no power
- Video & P/T/Z over a single pair with "up-the-coax" systems when used with passive baluns
- Highly compact, only one rack unit in height
- Conveniently integrates with NITEK Modular systems
- Video can be run in the same cable with telephone, computer signals and power



VH1639 Shown



TECHNICAL SPECIFICATION

8 Port, 16 Port or 32 Port Video Balun Hub

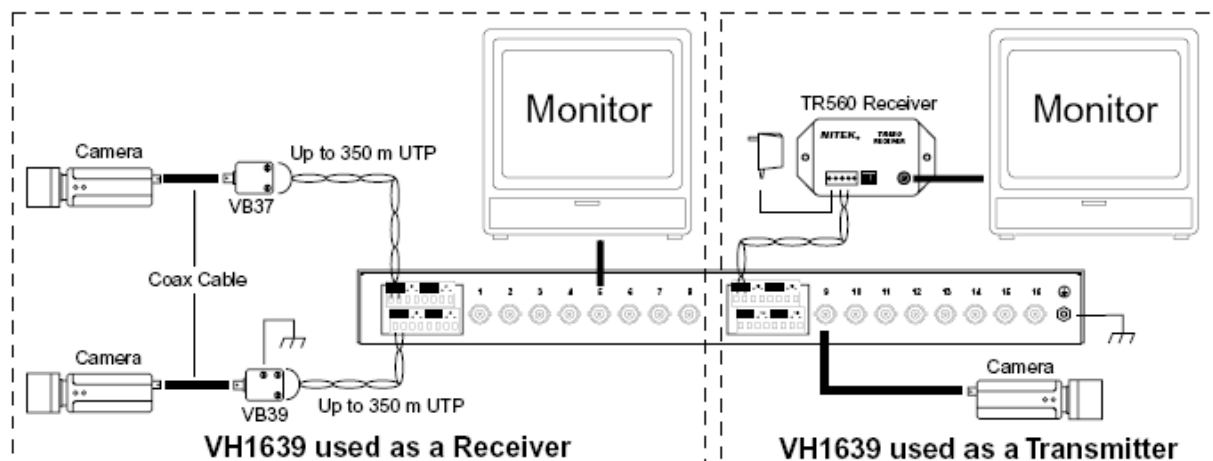
Size	1 RU x 15.2cmD
Power Requirements	NONE REQUIRED
Video Input Connection	Standard BNC connector for 1 Vpp composite video Monochrome or Color
Video Format	RS170, NTSC, PAL, SECAM, CCIR (Color or B/W)
Twisted Pair Connection	Screw terminals providing balanced low voltage current loop
Wire Size	26 to 12 AWG Unshielded Twisted Pair
UTP Category	Unshielded Category Cabling
Common Mode Rejection	>70dB
Operating Frequency	DC to 10 MHz
Recommended Transmission Distance	w/passive units - Up to 350 m w/active units - Up to 1000 m
Transient Immunity	Built-In

Wire and Cable Recommendations

Twisted Sender is recommended for use with **unshielded twisted pair** (UTP) wiring. The systems will operate over wire gauges from 26 AWG through 12 AWG but are optimized for 24 AWG. Category cabling may be used. Individually shielded pairs should be avoided as they drastically reduce the operating range of the systems. Multi-pair cable with an overall shield is acceptable. Video can be operated in the same communication cable coexistent with telephone, computer, control signals, power voltages and other video signals. While video may be routed through telephone punch down block terminals, any bridge-taps, also called T-taps and any resistive, capacitive or inductive devices **MUST BE** removed from the pair. For more specific information regarding wire types, gauges and proper installation techniques, please call +49(0)6074 - 888100 for technical assistance. More information is also available on the CCTV System Design Guide Sheet.

Ordering Information

PART	DESCRIPTION
VH839	8 Port UTP Video Balun Hub w/surge suppression; up to 350 m
VH1639	16 Port UTP Video Balun Hub w/surge suppression; up to 350 m
VH3239	32 Port UTP Video Balun Hub w/surge suppression; up to 350 m
<i>VH839 or VH1639 work with the following NITEK equipment</i>	
VB37M	BNC Male Video Balun; up to 350 m
VB37F	BNC Female Video Balun; up to 350 m
VB39M	BNC Male Video Balun w/surge suppression; up to 350 m
VB39F	BNC Female Video Balun w/surge suppression; up to 350 m
TR515	Active Receiver w/surge suppression; up to 500 m
TR560	Active Receiver w/surge suppression; up to 1000 m
VB41x4	4 Balun Card w/surge suppression for Rack; up to 350 m
TR515x4	Active Receiver w/surge suppression for Rack; up to 500 m
TR560x4	Active Receiver w/surge suppression for Rack; up to 1000 m
VH439	4 Port UTP Video Balun Mini-Hub w/surge suppression; up to 350 m
VH851	8 Port Active UTP Receiver Hub w/surge suppression; up to 500 m
VH1651	16 Port Active UTP Receiver Hub w/surge suppression; up to 500 m
VH856	8 Port Active UTP Receiver Hub w/surge suppression; up to 1000 m
VH1656	16 Port Active UTP Receiver Hub w/surge suppression; up to 1000 m



Videor E. Hartig GmbH
 Carl-Zeiss-Straße 8 · 63322 Rödermark, Germany
 Tel. +49 (0) 60 74 / 888-0 · Fax +49 (0) 60 74 / 888-100

Technical changes reserved.