



Part of GE Security

Network Transmission Products Power over Ethernet Splitter

Overview

GE Security's SP-PoE is a Power over Ethernet device that splits 48V DC over the Ethernet cable into 5V/12V DC power output. Working with IEEE 802.3af power source equipment (PSE), the SP-PoE minimizes restrictions due to power outlet locations, eliminating costs for additional AC wiring and reducing the installation time.

Once the unit is installed, a system administrator only has to use a single RJ-45 Ethernet cable to carry both power and data to each device. The SP-PoE also reduces cost and facilitates networking planning while delivering higher reliability.

Standard Features

- Complies with IEEE 802.3af, Power over Ethernet, IEEE 802.3/802.3u 10/100Base-TX Ethernet standard
- Splits the 48V DC power over RJ-45 Ethernet cable into different DC output
- LED indicators for power input
- Distance up to 100 meters
- Adjustable to two different output voltage options (5V/2A, 12V/1A) to fit various devices
- Auto-detect on PoE IEEE 802.3af equipment protects devices from being damaged by incorrect installation
- Works with EIA568, category 5, 4-pair cables for 10Base-T or 100Base-TX

SP-PoE IEEE 802.3af Power over Ethernet Splitter



SP-POE





Part of GE Security

North America
 T 888-GE-SECURITY
 888-437-3287
 F 503-691-7566
 E sales@ifs.com

Asia
 T 852-2907-8108
 F 852-2142-5063

Australia and New Zealand
 T 613-9239-1200
 F 613-9239-1299

Europe
 T 44-113-238-1668
 F 44-113-253-8121

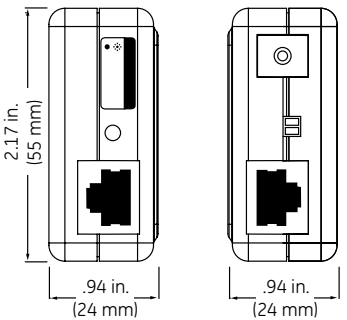
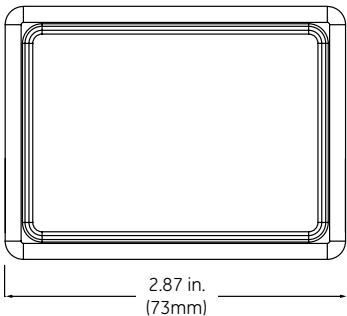
Latin America
 T 305-593-4301
 F 305-593-4300

gesecurity.com/ifs

Specifications subject to
 change without notice.

© 2010 General Electric Company
 All Rights Reserved

Dimensional Diagram



Specifications

Interface	
Ethernet + DC Copper Port	1 x 10/100Base-TX with IEEE 802.3af PoE PD for data + DC in RJ-45 connector
Ethernet Copper Port	1 x 10/100Base-TX for data out RJ-45 connector
Power over Ethernet	
PoE Standard	IEEE 802.3af Power over Ethernet / PD
PoE Input Pin Assignment	1/2(+), 3/6(-) End-Span or 4/5(+), 7/8(-) Mid-Span
PoE Input Voltage	48V DC (Range 44 to 56VDV)
Hardware Specification	
Data Rate	10/100Mbps (varies on Ethernet device attached)
Throughput (packet per second)	148810pps@64Bytes
DIP Switch	5VDC / 12VDC output voltage
Output DC Connector	DC Jack 5.5 x 2.5 mm receptacle in the central post
Output Power	12W max
Number of devices can be powered	1
Ethernet Cable	TIA/EIA-568, Category 5/5e cable
Installation	Stand-alone or wall-mount
Material	Plastic
Dimensions (H x W x D)	2.87 x 2.17 x 0.94 in. 73 x 55 x 24mm
Weight	0.11 lbs. / 50g
Reliability	MTBF > 50,000 hrs. @ 25°C
Standards Conformance	
Standards Compliance	IEEE 802.3 10Base-T Ethernet IEEE 802.3u 10/100Base-TX Fast Ethernet IEEE 802.3af Power over Ethernet PD
Environmental	
Operating	Temperature: 0°C~50°C Relative Humidity: 5%~90% (non-condensing)
Storage	Temperature: -20°C~70°C Relative Humidity: 5%~90% (non-condensing)
Electrical	
Output Voltage	DIP switch 5V: 5VDC, 2.0A max DIP switch 12V: 12VDC, 1.0A max
Ordering Information	
SP-PoE	IEEE 802.3af Power over Ethernet Splitter

