

Encoding at the Edge of your Network



1CH H.264 Network Video Encoder

SPE-100

SPE-100 is a high performing video encoder that converts video from analog cameras on to IP network system leveraging existing cost-effective analog system creating a hybrid solution. Highly efficient H.264 compression technology and ONVIF standard compliant, SPE-100 is the perfect solution when there is a need for hybrid solution.

- Real-time 30(25)fps at high resolution(4CIF)
- Max.resolution : 704 x 480, 704 x 576(4CIF)
- H.264/MPEG-4/MJPEG triple codec
- Multiple streaming simultaneously
- Bi-directional audio, SD memory slot support
- ONVIF standard protocol support



1CH H.264 Network Video Encoder

SPE-100

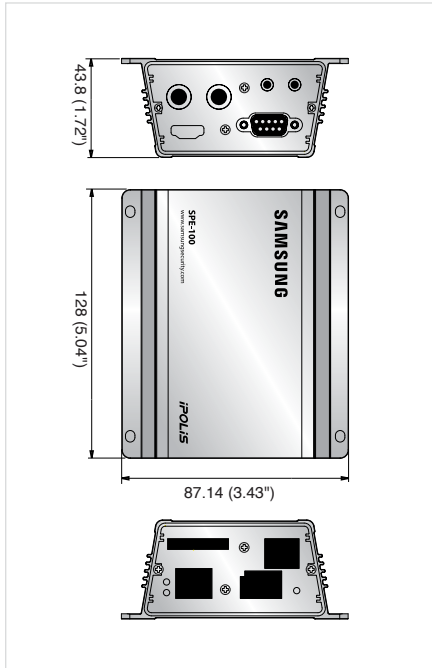


Specifications

	SPE-100N	SPE-100P
OPERATIONAL		
Video In	CVBS : 1.0 Vp-p / 75Ω composite, NTSC/PAL Auto Detection	
Video Out	CVBS : 1.0 Vp-p / 75Ω composite, Loop-out	
De-interlacing Filter	Built-in	
Event Trigger	Motion Detection, Alarm Input, Video Loss	
Alarm I/O	Input 1ea / Output 1ea (Relay)	
Remote Control Interface	RS-485	
RS-485 Protocol	SAMSUNG T/E, PELCO-P/D	
NETWORK		
Ethernet	RJ-45 (10/100BASE-T)	
Video Compression Format	H.264, MPEG4, MJPEG	
Resolution	704 x 480, 640 x 480, 352 x 240, 320 x 240	704 x 576, 640 x 480, 352 x 288, 320 x 240
Max. Framerate	30fps	25fps
Video Quality Adjustment	H.264/MPEG4 : Compression Level, Target Bitrate Level Control MJPEG : Quality Level Control	
Bitrate Control Method	H.264/MPEG4 : CBR or VBR, MJPEG : VBR	
Streaming Capability	Multiple Streaming (Up to 10 Profiles)	
Audio I/O	Line in / Line out	
Audio Compression Format	G.711 u-law	
Audio Communication	2-Way	
IP	IPv4, IPv6	
Protocol	TCP/IP, UDP/IP, RTP(UDP), RTP(TCP), RTSP, NTP, HTTP, HTTPS, SSL, DHCP, PPPoE FTP, SMTP, ICMP, IGMP, SNMPv1/v2c/v3(MIB-2), ARP, DNS, DDNS	
Security	HTTPS(SSL) Login Authentication, Digest Login Authentication IP Address Filtering, User access Log	
Streaming Method	Unicast / Multicast	
Max. User Access	10 users at Unicast Mode	
Memory Slot	SD / SDHC Memory Slot	
ONVIF Conformance	Yes	
Web Viewer	Supported OS : Windows XP / VISTA / 7, MAC OS Supported Browser : Internet Explorer 6.0 or Higher, Firefox, Google Chrome, Apple Safari	
Central Management Software	NET-i viewer	
ENVIRONMENTAL		
Operating Temperature / Humidity	-10°C ~ +50°C (+14°F ~ +122°F) / 20% ~ 80% RH	
ELECTRICAL		
Input Voltage / Current	12V DC, PoE (IEEE802.3af)	
Power Consumption	Max. 4W	
MECHANICAL		
Color / Material	Silver / Metal	
Dimension (WxHxD)	87.14 x 43.8 x 128mm (3.43" x 1.72" x 5.04")	
Weight	391g (0.86 lb)	

Dimensions

Unit : mm (inch)



The Eco mark represents Samsung Techwin's will to create environment-friendly products, and indicates that the product satisfies the EU RoHS Directive.

Design and specifications are subject to change without notice.



SAMSUNG TECHWIN CO., LTD.

701, Sampyeong-dong, Bundang-gu, Seongnam-si, Gyeonggi-do Korea 463-400
Tel : +82-70-7147-8741~8749, 8752~8760 Fax : +82-31-8018-3745
www.samsungsecurity.com www.samsungcctv.com

SAMSUNG TECHWIN AMERICA Inc.
1480 Charles Willard St. Carson, CA 90746, UNITED STATES
Tol Free : +1-877-213-1222 Fax : +1-310-632-2195
www.samsungcctvusa.com

SAMSUNG TECHWIN EUROPE LTD.
Samsung House, 1000 Hillwood Drive, Hillwood Business Park
Chertsey, Surrey, UNITED KINGDOM KT16 0PS
Tel : +44-1932-45-5300 Fax : +44-1932-45-5325

TIANJIN SAMSUNG TECHWIN OPTO-ELECTRONICS CO., LTD.
No.11 Wei 6 Street, Micro-Electronic Industrial Park
Jingang Road, Tianjin, P.R. CHINA 300385
Tel : +86-22-23887788 Fax : +86-22-23887788

■ DISTRIBUTED BY

