

## Description

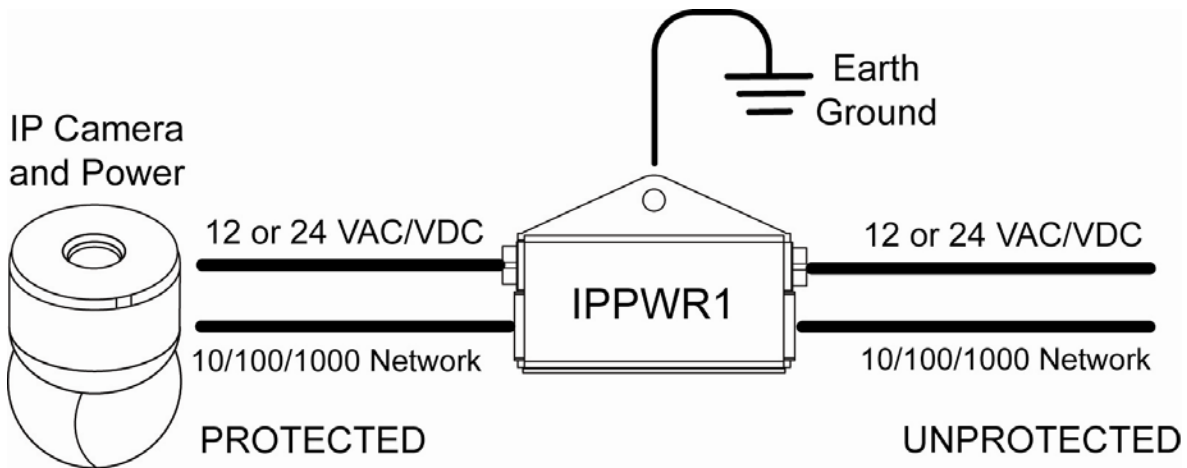
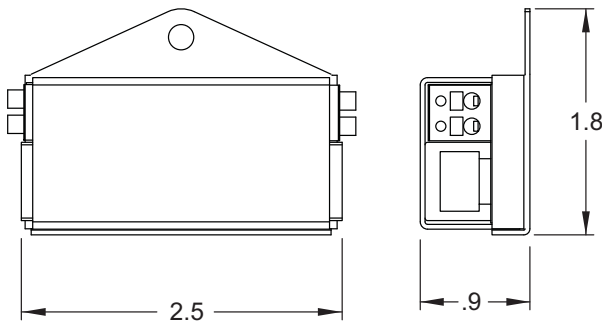
The **IPPWR1** is a single channel, in-line, 10/100/1000 Ethernet surge protector for IP cameras. In addition to the network protection the IPPWR1 provides independent protection for 12 or 24 volt power which can be used with heaters, blowers or PTZ. The IPPWR1 is designed to provide surge protection for one 10/100/1000 Ethernet port. The unit has standard RJ45 jacks for easy connection and is ideal for small or restricted spaces. The IPPWR1 provides a heavy duty, single point ground connection and is easy to install in minutes.

## Features

- Heavy duty single point ground
- 1 picosecond clamping time
- Lifetime warranty
- Separate power protection for 12 or 24 VAC/VDC
- Will pass PoE+ power

## Specifications

Size	0.9" H x 2.5" W x 1.8" D
Connection Network	Standard RJ45
Connection Power	Push-in terminals - rate @ 5 amps
Clamping	
12/24VAC/DC	30 Vrms
Data/PoE+ Ethernet	58 Vp-p
Transient Response Time	1 picosecond typ.
Peak Pulse Power Dissipation	3,000 W/pair (10/100us)
Impedance	50 or 75 Ohms
Temperature	-40C to +85C
Shipping Weight	1 lb



# NITEK®

USA

5410 Newport Drive, # 24  
 Rolling Meadows, IL 60008  
 Phone: (847) 259-8900  
 Fax: (847) 259-1300  
 E-mail: info@nitek.net  
 WWW.NITEK.NET

EUROPE

De Schans 19-21 2a  
 8231 KA Lelystad  
 Tel: +31(0)320-230005  
 Fax: +31(0)320-282186  
 E-mail: info@nitek.nl  
 WWW.NITEK.NL